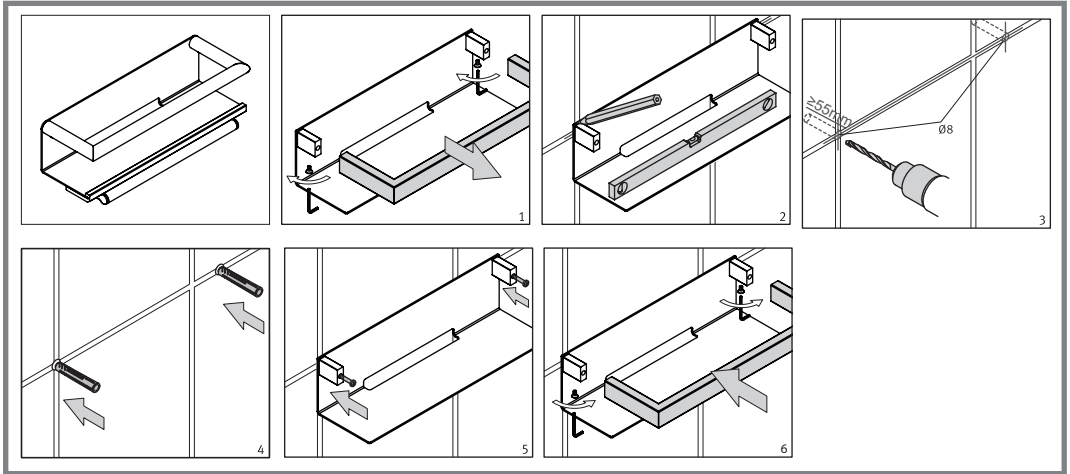


CORNER SHOWER BASKET WITH GRAB BAR



SHOWER BASKET WITH GRAB BAR & MAGNETIC SQUEEGEE

Installation Guideline

- Using a suitable drill bit, drill holes in the marked positions to a suitable depth. If drilling through tile, use a ceramic drill bit.
- Insert wall plugs level with the surface of the wall. If fitting to a tiled surface, wall plugs should be inserted below the tile surface to avoid cracking. NB. For plasterboard walls, specialist fixings should be purchased, available from any DIY or hardware store.
- Fig.6 - Ensure the retaining grub screw is installed securely.

Care Instructions

- Do not use abrasives or solvents when cleaning this product.