

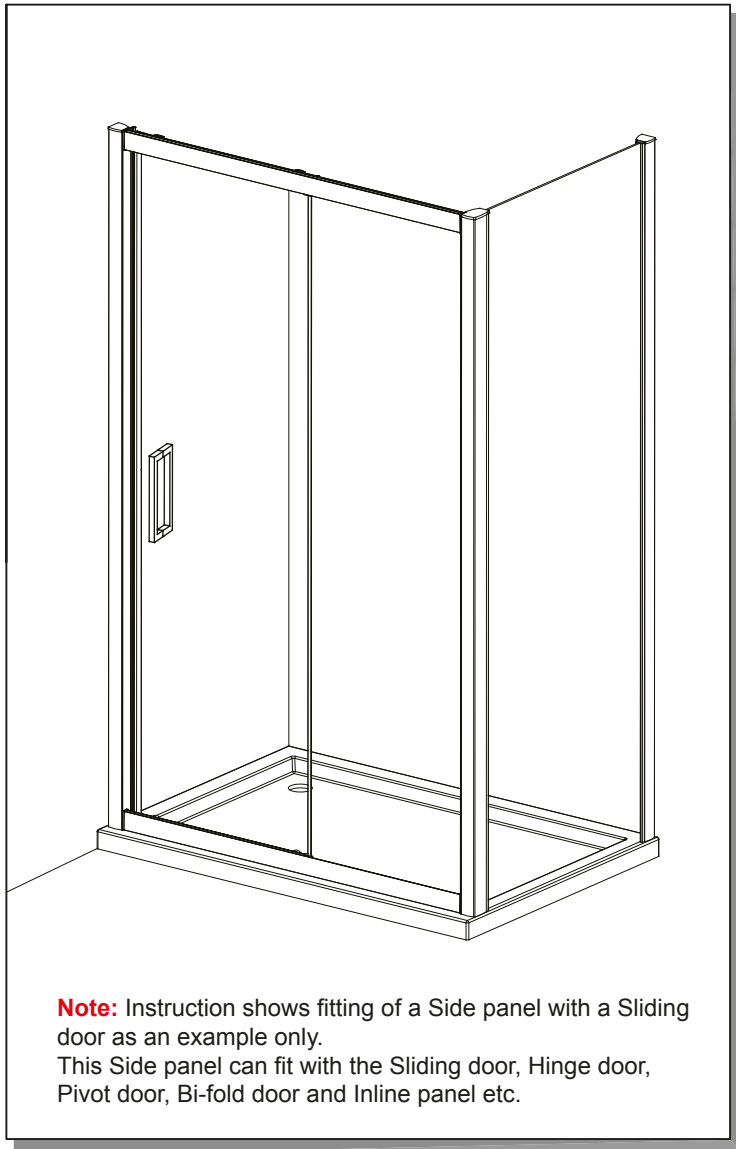
venturi 8

Side Panel

AQUA
DART

INSTALLATION INSTRUCTIONS

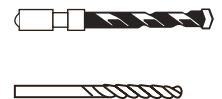
www.aquadart.co.uk



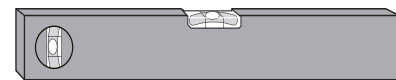
Tools Required



Drill



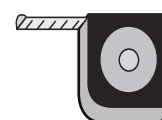
6mm Masonry Drill
2.75mm HSS Drill



Spirit level



Sealant Gun



Tape Measure



Pencil



PH2 TYPE
Screwdriver

Please note hand tools **NOT** supplied.

IMPORTANT

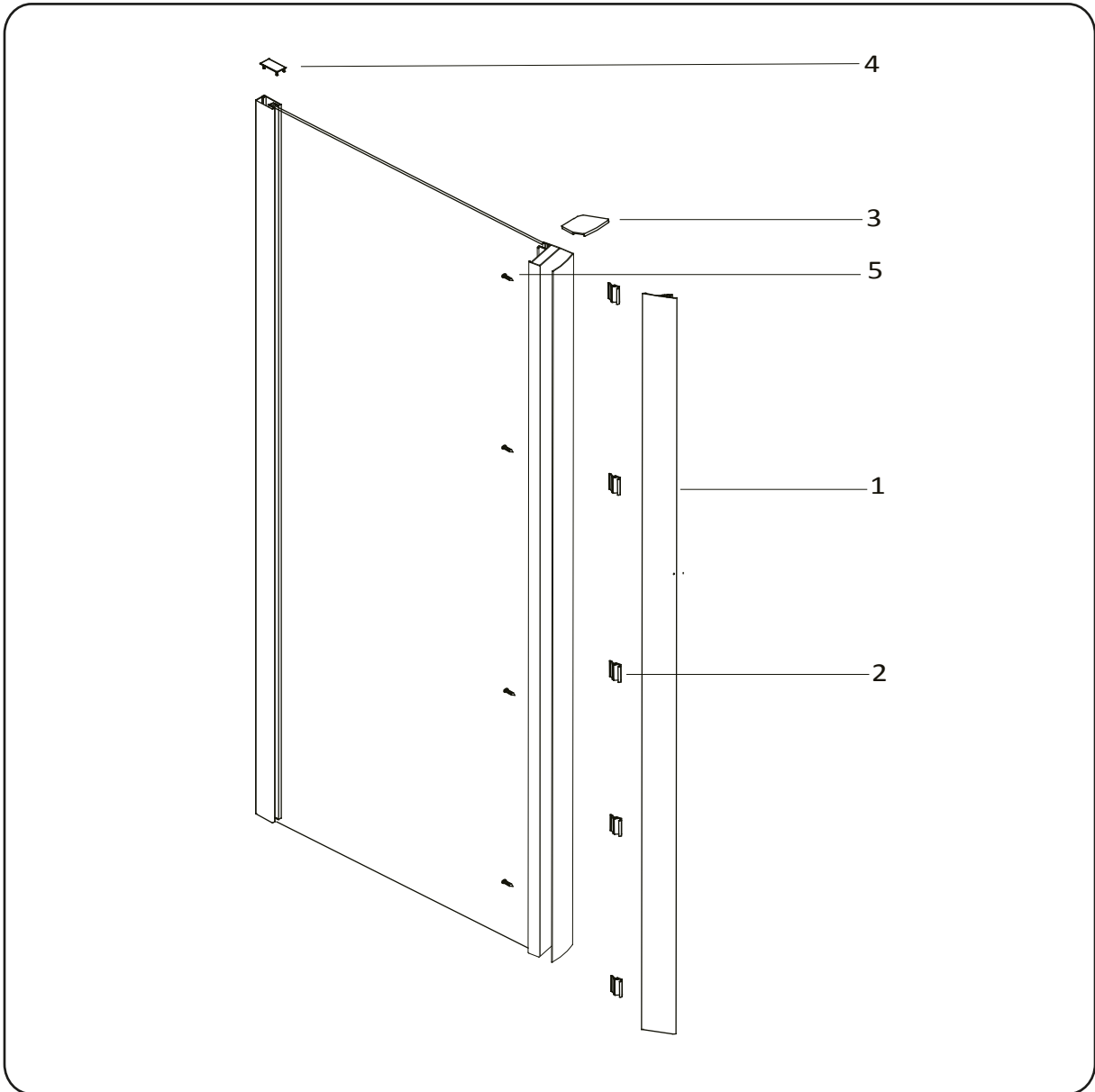
This product should be installed by a suitably qualified and proficient person. The fitting instructions should be followed carefully to ensure a proper and safe installation. Failure to follow these instructions could result in future injury.

These instructions and list of parts assume that installation is done against solid/tiled walls.

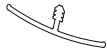
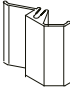
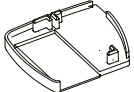
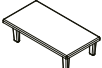

Please check this product for damage prior to starting the installation. No claims can be made after the product has been fitted.

PLEASE NOTE :The minimum and maximum adjustment sizes noted on the product brochures are based on perfectly plumb walls and trays.

USE SAFETY EYE-WEAR WHEN DRILLING

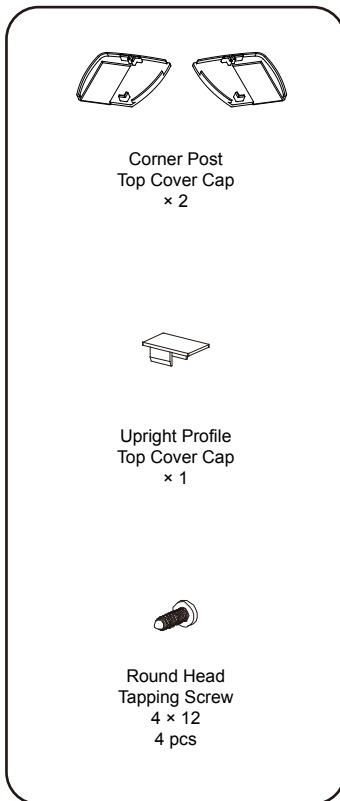


Box Contents

SN	Image	Description	Qty
1		Cover Strip Profile	1
2		Cover Strip Clip	5
3		Corner Post Top Cap(L/R)	2
4		Vertical Profile Top Cap	1
5		Screws ST 4X12	4

Note: Further part details for fixing kit available on page 2

FIXING KIT



IMPORTANT - Missing Components

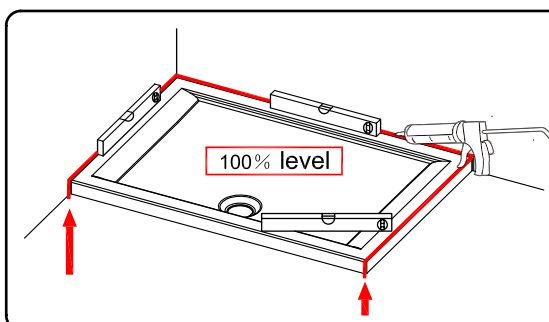
Please check this product for missing components prior to installation.

For spare parts visit www.aquadart.co.uk

IMPORTANT - Installation site

1. Ensure the top surface of the shower tray on which the enclosure will be installed is level in every direction.
2. The tiles or other wall finishing should be effectively sealed at tray edges.
3. Tiles should extend at least to the corner of the tray and a minimum of 1.9 metres from the top of the tray.

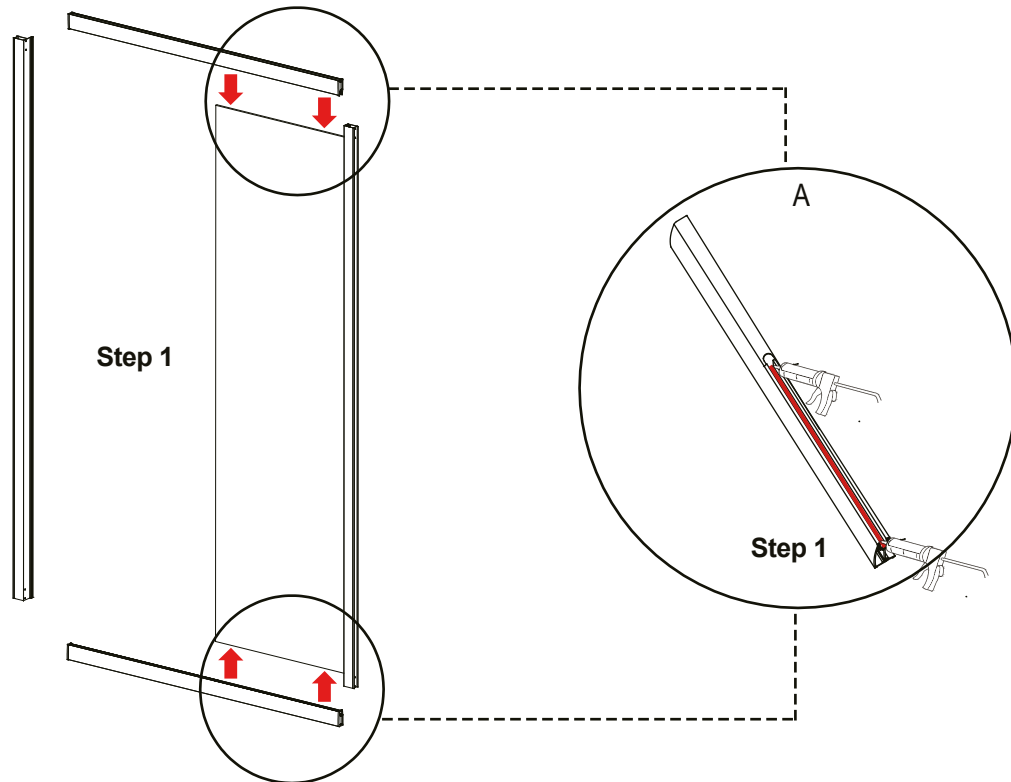
PROCEDURE



TRAY MUST BE 100% LEVEL IN ALL DIRECTIONS

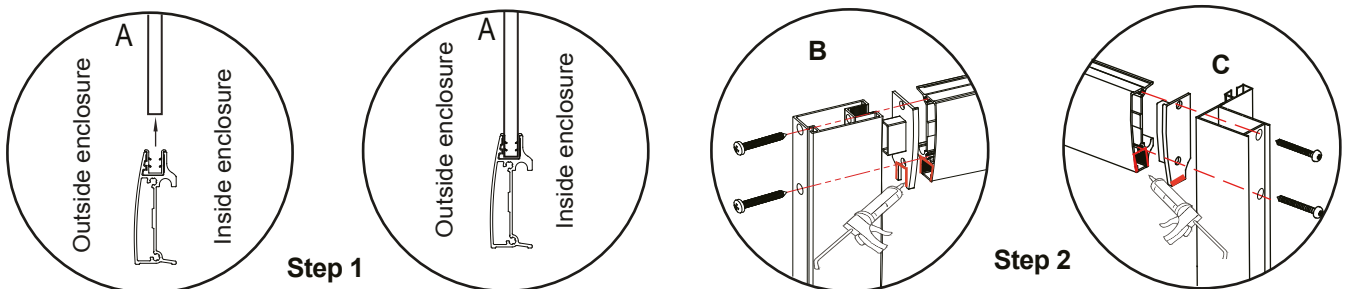
Ensure the shower tray is level in all directions and is properly sealed to the wall. The wall must be tiled down to the top edge of the tray. **Do not angle out bottom tile.**

TRAY MUST BE SEALED FULLY AROUND WHERE THE TRAY MEETS THE WALL.



Step 1.

Drop the silicone into the groove of the rail profiles along with the pre-fitted seal, then push the top and bottom profiles into the fixed glass panels make sure the fixed glass panels are pushed into the gaskets fully as shown(A).

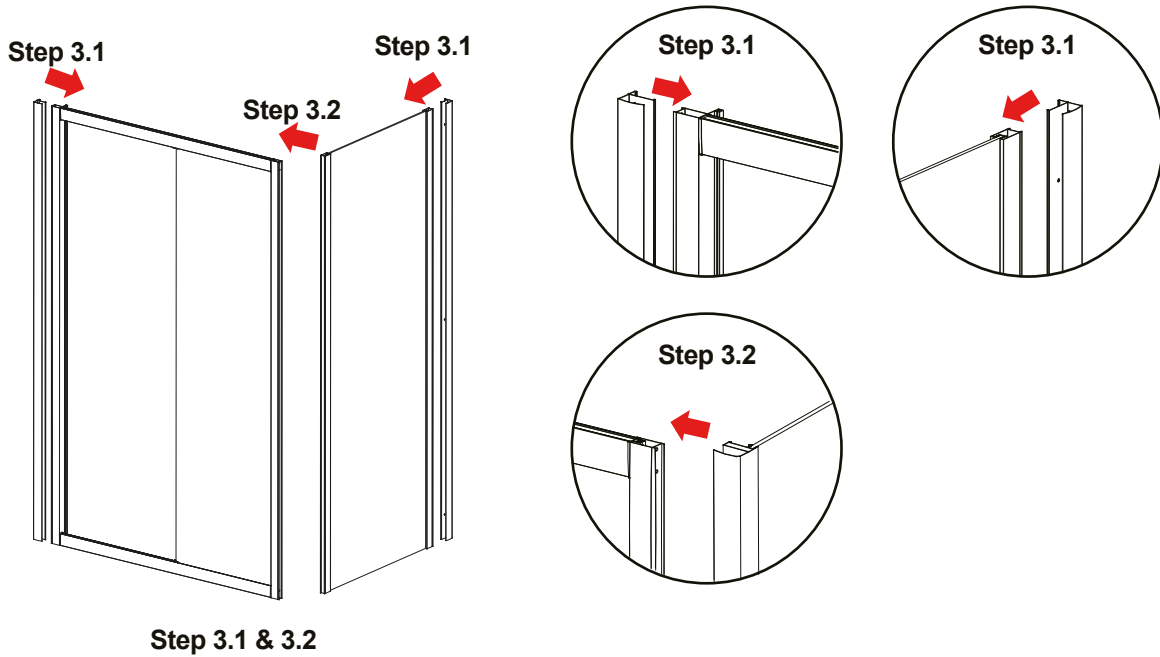


Step 2.

Insert the horizontal profile end caps A then fix the pieces together using 2×ST4×30 fixing screws through the metal profile of the fixed panels and into the end of the horizontal rail. Once the fixed panels are attached to the bottom horizontal rail repeat for the top horizontal (Diagram B).

Put the horizontal profile end caps B to another end of the top and bottom rail profile then fix the C profile into the end of the horizontal rail profiles. (Diagram C)

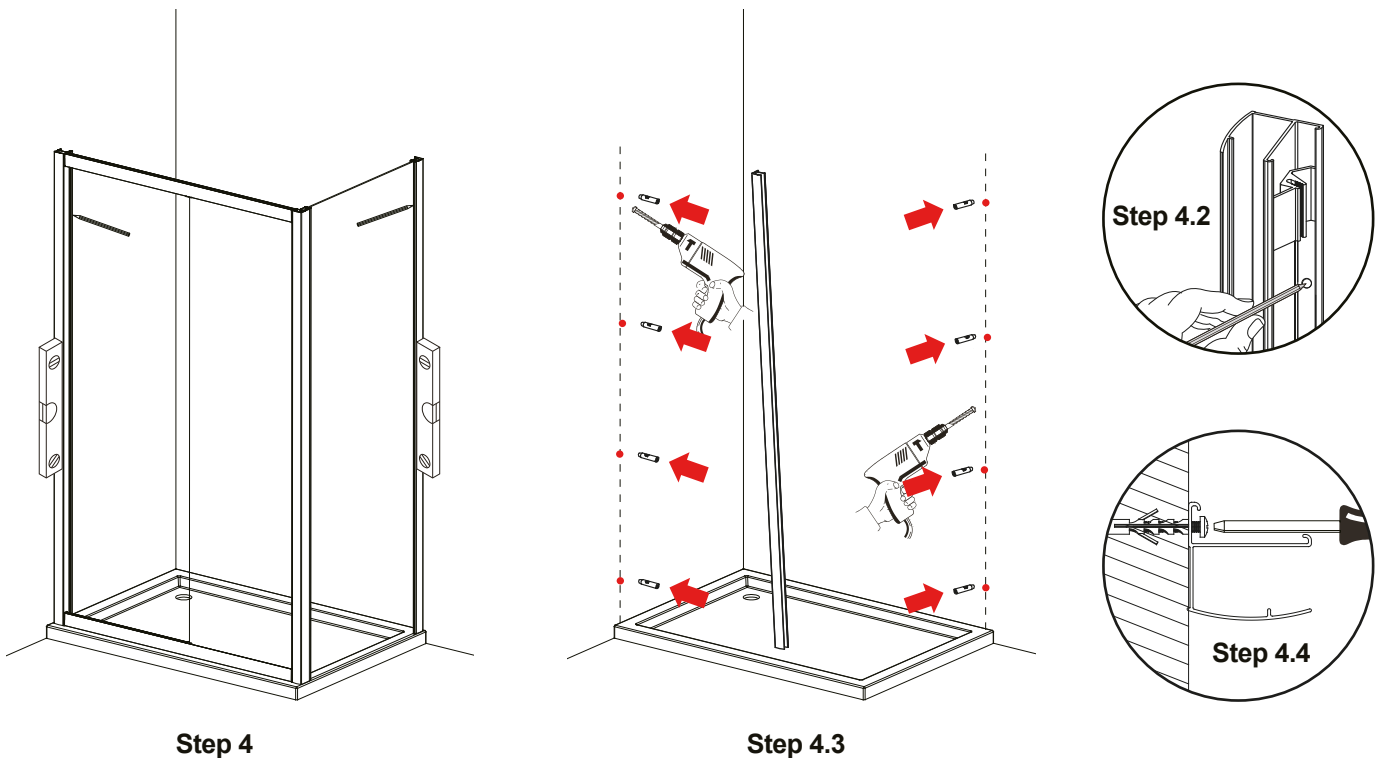
Note: Put a little bit of silicone in the corner of the profile cap and the horizontal profile as the diagram shown (B,C).



Step 3.

3.1 Push the wall profiles (packed with the door) to the assembled frame and side panel.

3.2 Push the side panel to the assembled frame.



Step 4.

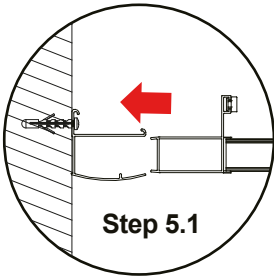
4.1 Carefully lift the door onto the shower tray then level the frame using a spirit level.

4.2 Once you are happy that the frame sits on the tray correctly mark the wall through the 4 pre-drilled screw holes in the wall profiles.

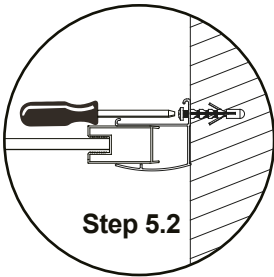
NOTE: You may find it easier to mark and drill the wall if you apply masking tape to it first.

4.3 Remove the frame and drill the marked points using a 6mm masonry drill bit, once this is done insert 8 × wall plugs.

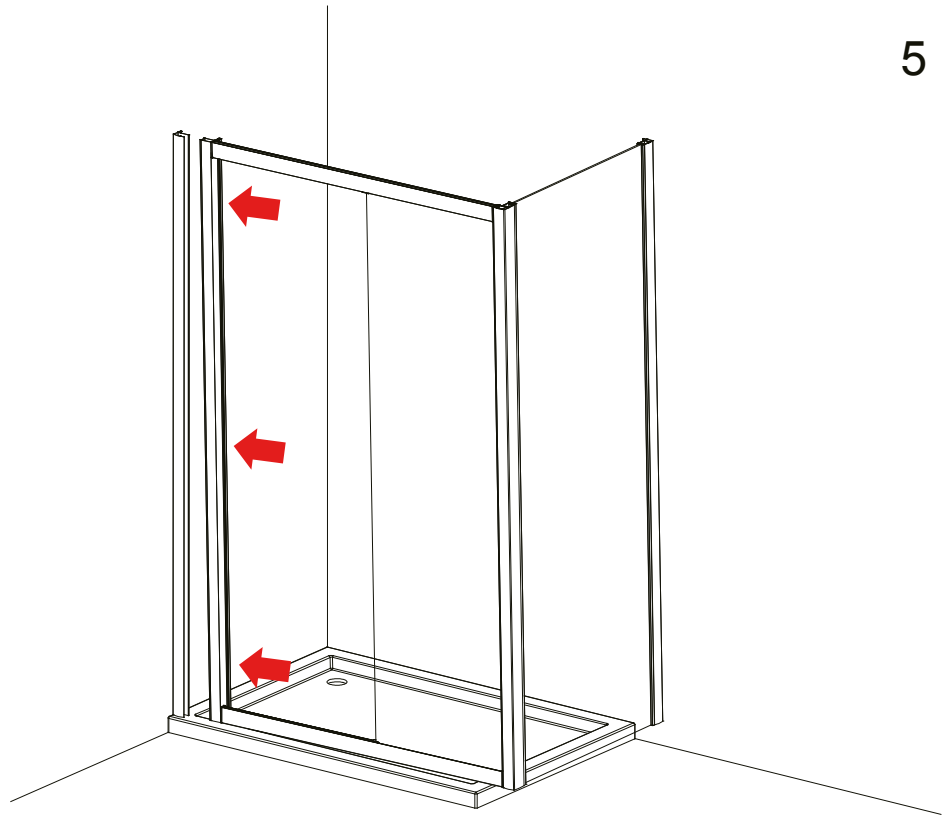
4.4 Fix the recess wall profile to wall using the screws ST4× 30.



Step 5.1



Step 5.2

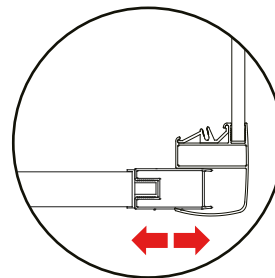
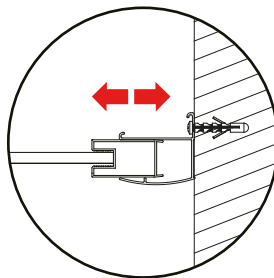
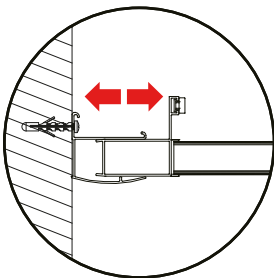


Step 5.1

Step 5.

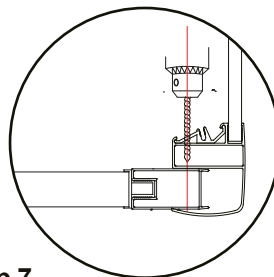
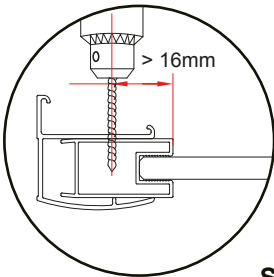
5.1 Insert the frame into the wall profile.

5.2 Fix the other wall profile using screws ST4× 30.



Step 6.

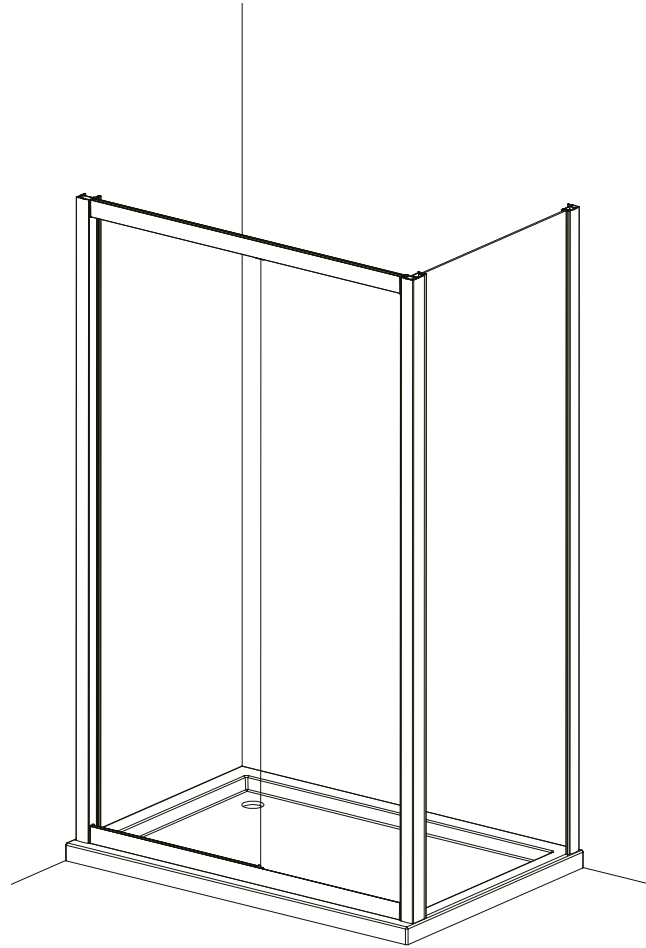
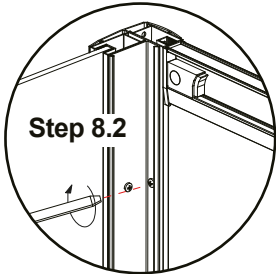
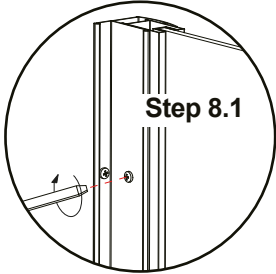
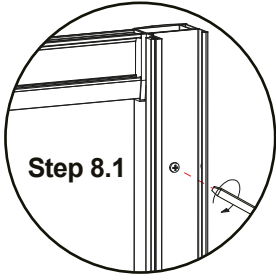
Adjust the frame and side panel to ensure that they are central between the wall profiles and corner post and level against the shower tray at the base.



Step 7

Step 7.

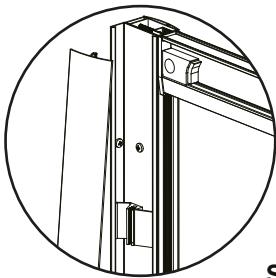
Drill 4 equally spaced holes with a 3mm drill bit through the wall profiles and corner post into the frame and side panel.



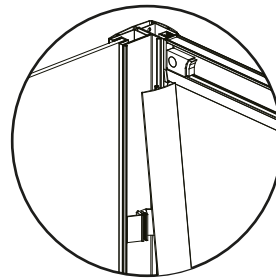
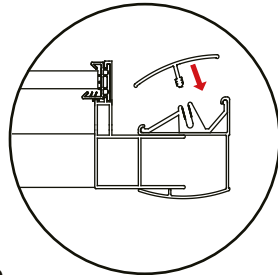
Step 8.

8.1 Fix the frame to the wall profiles using the screws ST4 × 12 (4 per wall profile).

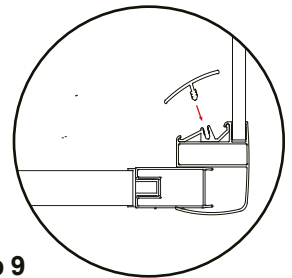
8.2 Fix the frame to side panel using the screws ST4 × 12.



Step 9

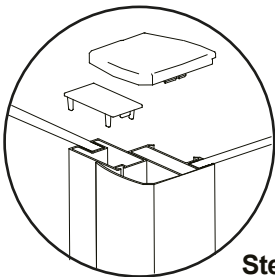


Step 9



Step 9.

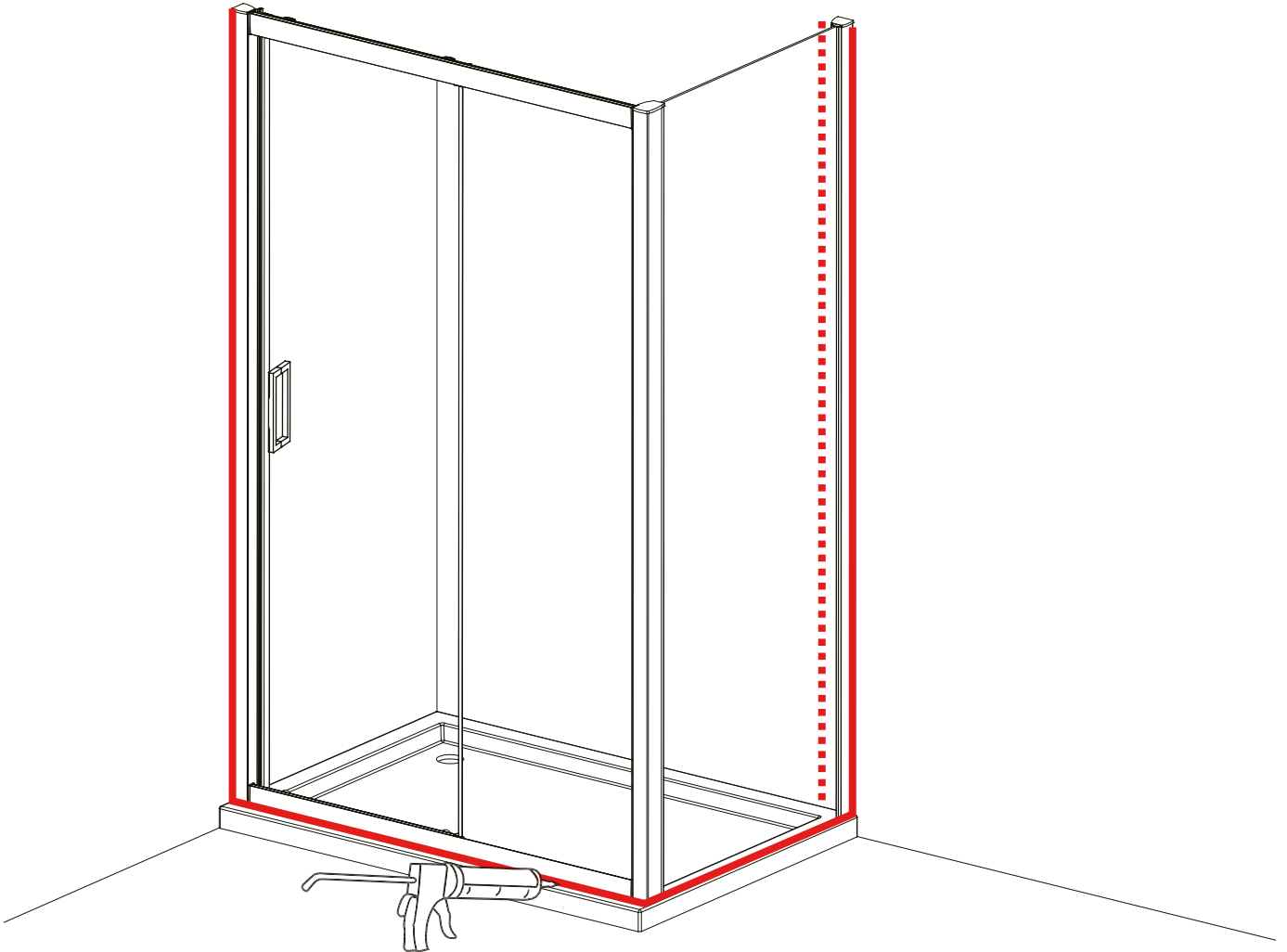
Once you are happy that the installation is correct then push the cover strip profile onto the profile clips as shown .



Step 10

Step 10.

Fit the corner post top cover caps as shown.



24 HRS



**DO NOT USE THE
ENCLOSURE FOR
24 HOURS AFTER
SEALING**

Applying Silicone Sealant

Sealing Inside

Seal from the top of the wall profile to the bottom on the **INSIDE** between the wall profile and the wall.

IMPORTANT: Do not apply sealant on inside of the tray.

Sealing Outside

Seal from the top of the wall profile to the bottom between the wall profile and tiles on both sides. Also seal along the bottom where the frame meets the tray. Seal the joints between the bottom profile and any upright profiles.

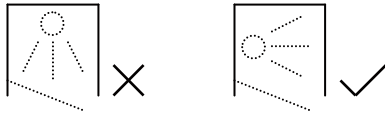
AFTERCARE

Cleaning Instructions

It is important to clean your Aquadart shower enclosure after every use. Please wipe down all glass and metal parts with a clean soft cloth. Ensure that all residual water on the glass is removed after every use.

Usage

For reliable, watertight performance from your Aquadart enclosure your shower head should not be positioned so that the shower sprays directly onto the enclosure door. Failure to comply with this may cause the shower to leak. Outward opening doors may cause water to drip onto the floor, please ensure that the floor covering immediately outside the enclosure will not be affected by water.



This product has been treated with Clean & Clear™ easy clean glass treatment, a protective barrier which creates a 'non-stick' surface on your glass, helping to resist lime scale build up and water spots. For further information on Clean & Clear™ please visit www.aquadart.co.uk

Aftercare

Clean & Clear™ glass can be cleaned with any suitable nonabrasive glass cleaner - with PH value of between 3-11; the coating will not be damaged. Avoid surfactants and heavily perfumed products. Vinegar and water based products are very effective. Do not use abrasive scrubbing cleaners or equipment for cleaning.

Warranty

Limited 5 year Warranty for Clean & Clear™ treatment: To guarantee treated surfaces will remain more repellent than untreated glass for 5 years from start of use, as long as basic manufacturer maintenance recommendations are followed and no harsh or abrasive cleaners are used.