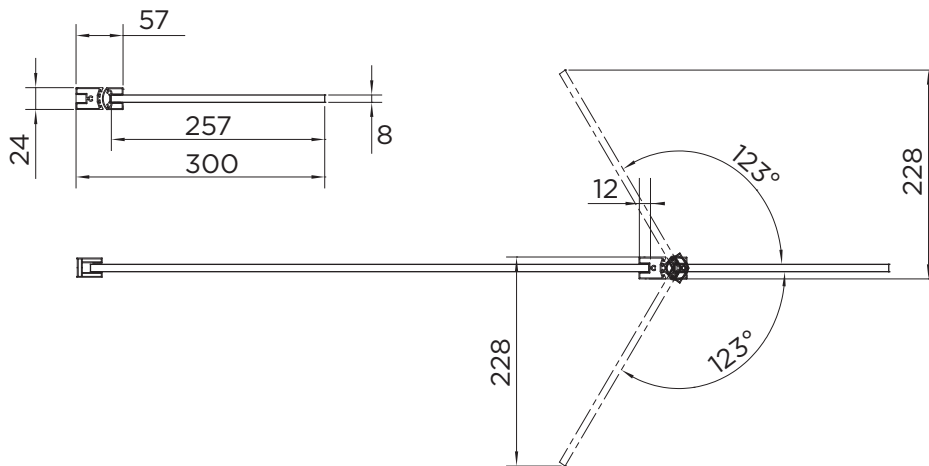


SPECIFICATION

wetroom 8

MATRIX FLIPPER PANEL

RANGE	WETROOM 8
PRODUCT	FLIPPER PANEL
CODE	AQ8660LCR
SIZE	300
PROFILE COLOUR	BLACK
GLASS THICKNESS	8mm
GLASS FINISH	CLEAR/MARTIX
GLASS TREATMENT	CLEAN & CLEAR™
HEIGHT	2000
ADJUSTMENT IN RECESS	N/A
ADJUSTMENT WITH SIDE PANEL	N/A
APERTURE	N/A
GUARANTEE	LIFETIME
CE	YES/EN14428
GLASS BS EN	EN12150-1T
PROFILE MATERIAL	ALUMINUM/6463#
HANDLE MATERIAL	N/A
HINGE MATERIAL	N/A
QUICK RELEASE ROLLERS	N/A
GLASS PANEL SIZE	257.4
MOVING PANEL SIZE	N/A
PRODUCT HAND	LEFT HAND
PRODUCT WEIGHT	19KG
PACKAGED DIMENSIONS	2080x351x48
BARCODE	5031978085282



*All shower enclosures carry a Lifetime Guarantee when fitted with an Aquadart shower tray, a 10 year Guarantee will be given when fitted with any other manufacturer's tray.

To register your Guarantee visit: www.aquadart.co.uk | Spare Parts available at: www.aprilaquadartspares.co.uk

All measurements in mm and are nominal