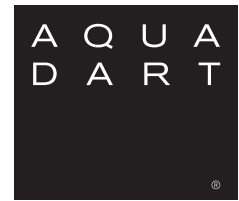


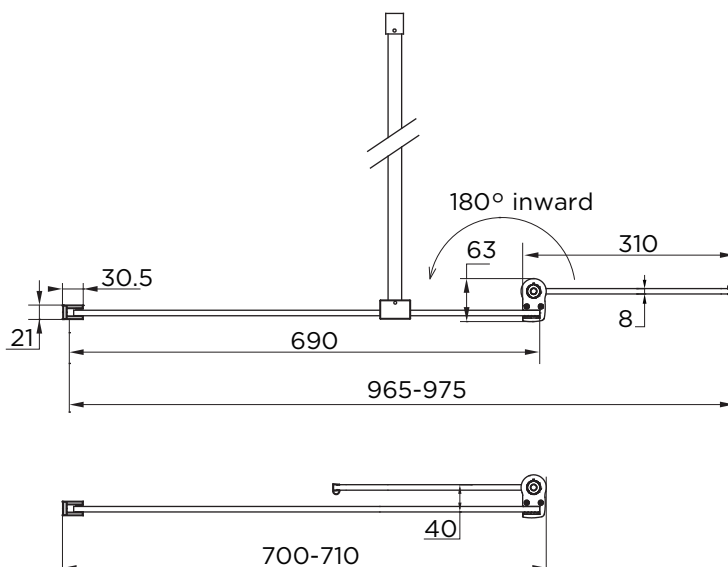
wetroom 8

FLAT FOLDING FLIPPER PANEL



BY CAVALIER BATHROOMS

RANGE	WETROOM 8
PRODUCT	FLIPPER PANEL
CODE	AQ8283S
SIZE	300
PROFILE COLOUR	SILVER
GLASS THICKNESS	8mm
GLASS FINISH	CLEAR
GLASS TREATMENT	CLEAN & CLEAR™
HEIGHT	2000
ADJUSTMENT IN RECESS	N/A
ADJUSTMENT WITH SIDE PANEL	N/A
APERTURE	N/A
GUARANTEE	LIFETIME
UKCA/CE	YES/BS EN 14428
GLASS BS EN	BS EN 12150-1T
PROFILE MATERIAL	ALUMINUM/6463#
HANDLE MATERIAL	N/A
PIVOT HINGE MATERIAL	METAL
QUICK RELEASE ROLLERS	N/A
GLASS PANEL SIZE	297
PRODUCT HAND	UNIVERSAL
PRODUCT WEIGHT	16.6KG
PACKAGED DIMENSIONS	2080x450x75
BARCODE	5031978085053



All measurements in mm and are nominal

*All shower enclosures carry a Lifetime Guarantee when fitted with an Aquadart shower tray, a 10 year Guarantee will be given when fitted with any other manufacturer's tray.

To register your Guarantee or order Spare Parts visit: www.cavalierbathrooms.co.uk