

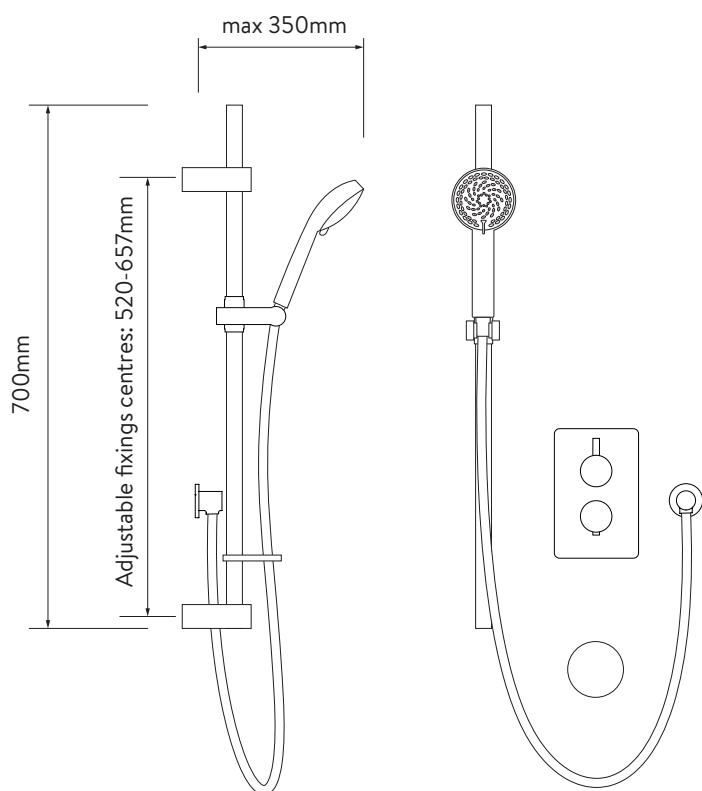
# AQUALISA

## DREAM™ CONCEALED MIXER SHOWER

DRMDCV2.  
ADBTX.RND

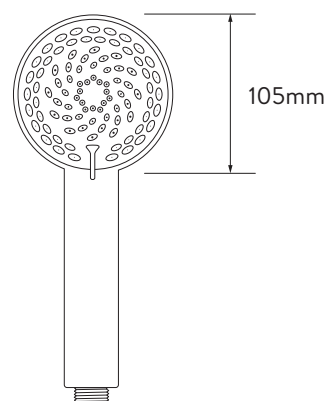
DUAL OUTLET WITH ADJUSTABLE AND BATH FILLER -  
ROUND - LP/HP - CHROME

### DIMENSIONAL DRAWINGS

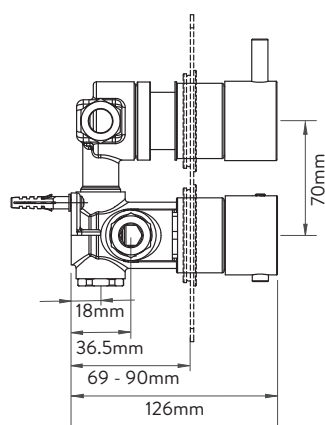
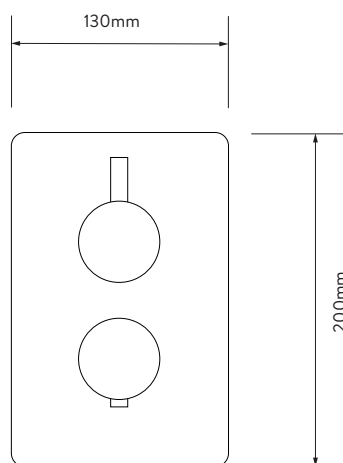
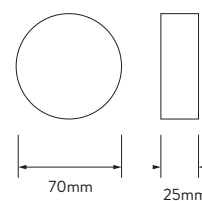


CONTROLLER

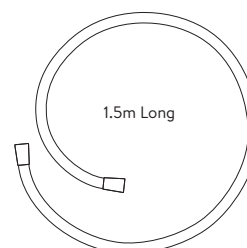
ADJUSTABLE HEAD



BATH OVERFLOW FILLER



HOSE



# AQUALISA

## DREAM™ CONCEALED MIXER SHOWER

DRMDCV2.  
ADBTX.RND

DUAL OUTLET WITH ADJUSTABLE AND BATH FILLER -  
ROUND - LP/HP - CHROME

---

### TECHNICAL SPECIFICATIONS

Minimum pressure requirements	0.2 bar
Maximum pressure requirements	5 bar
Fitting connections	15mm pipe
Outlet connections	15mm pipe
Inlet supply positions	Hot/left, Cold/right
Water system	All water systems
Features	Separate temperature control with override button for extra safety
	WRAS approved valve
	Soft rub nozzles for easy cleaning
	4 spray patterns, easy click spray control
	105mm adjustable head
	1.5m smooth chrome hose (11mm bore)
	Eco-spray setting can deliver water savings of up to 25%
Colour	Chrome
Guarantee period	5 year guarantee (Valve)
	2 year guarantee (head and kit)