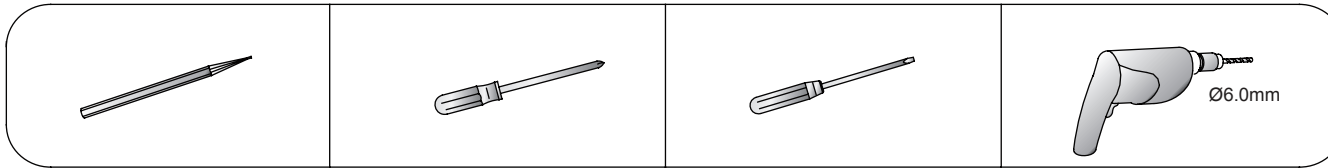
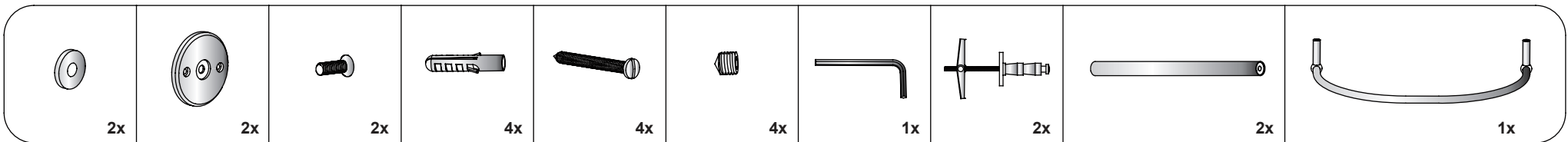


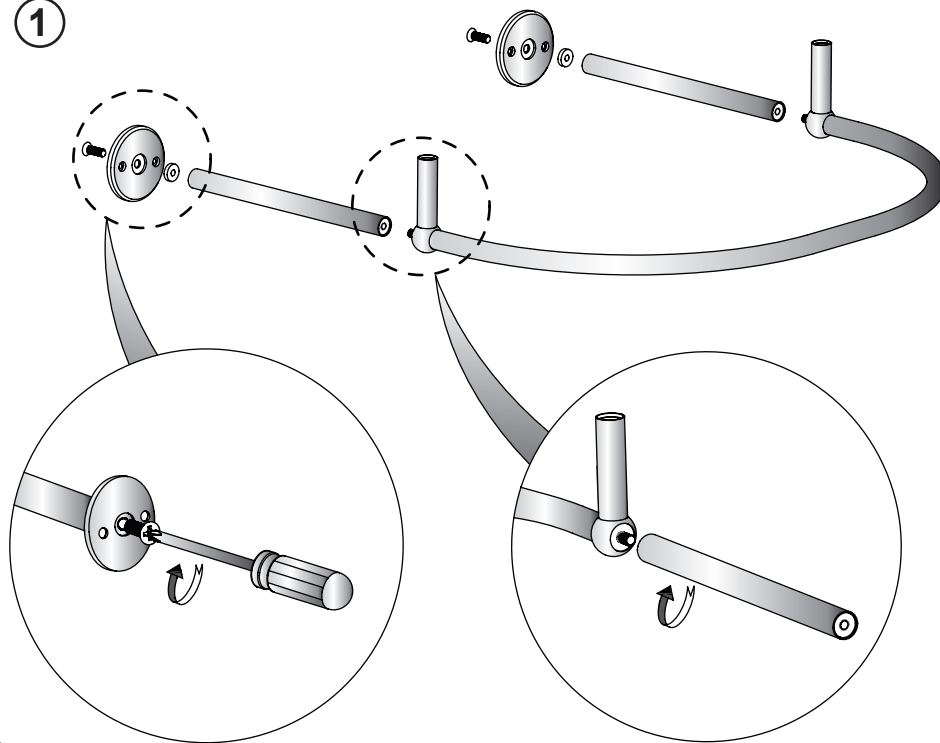
Tools required:



Parts supplied:

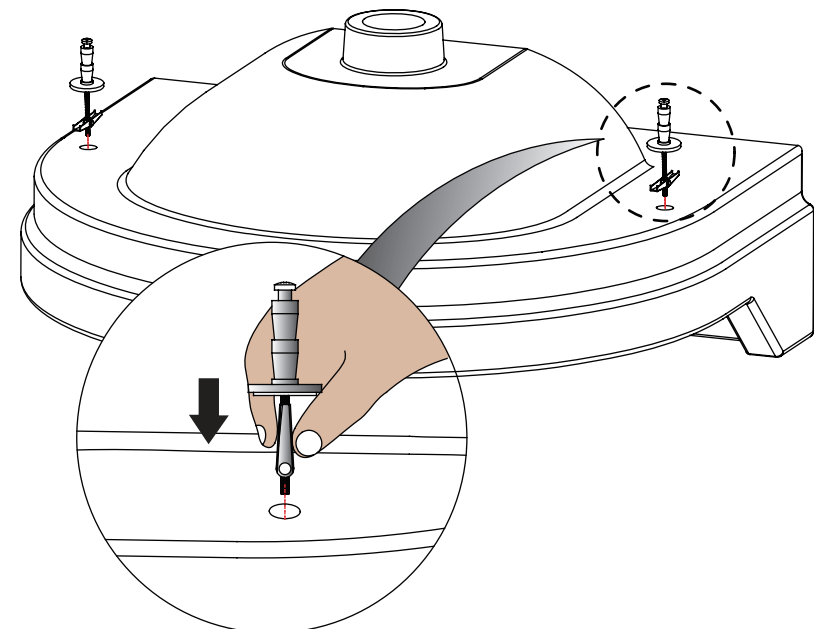


1

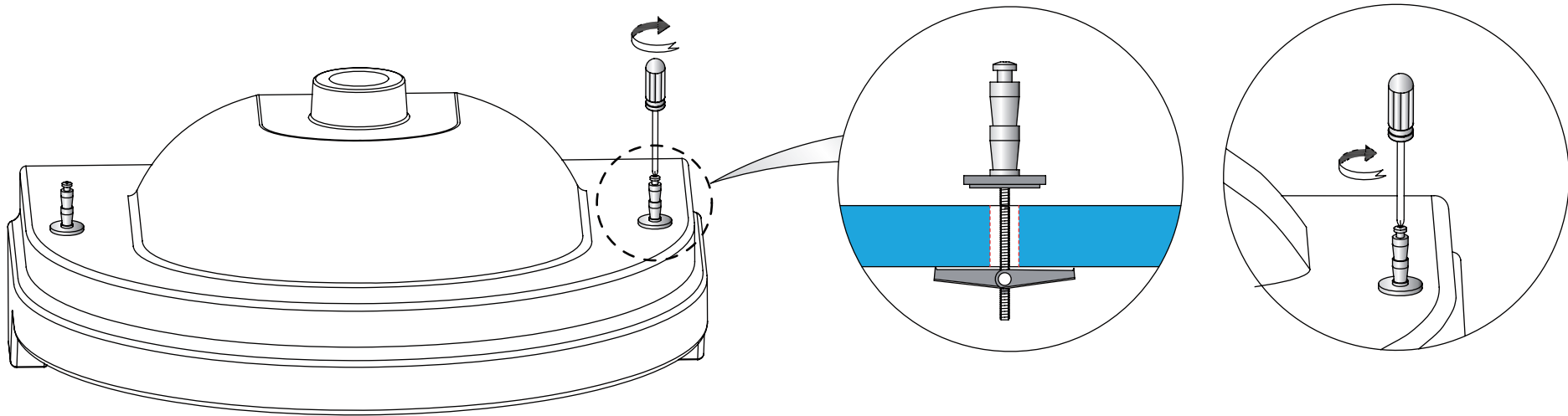


2

Insert the towel rail fixing bolt into each of the fixing holes located underneath the basin.

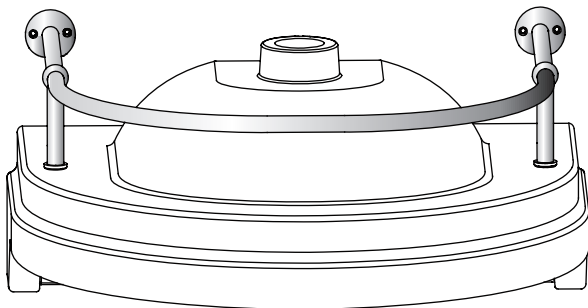


- 3** Pull the fixing bolt up so that it catches on the inner surface of the basin, and then tighten, but only tight enough to prevent the fitting sliding too much.



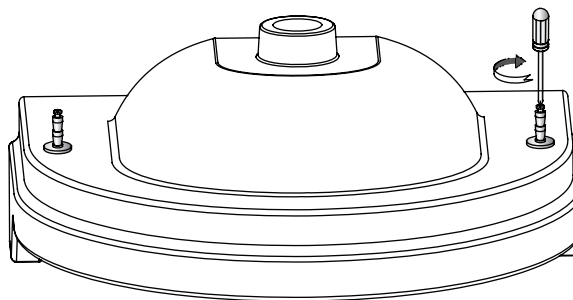
- 4** a: Locate the basin upside down against a wall. Insert the rail into the two fixing bolts – and push the rail so that the two plates touch the wall.

a:



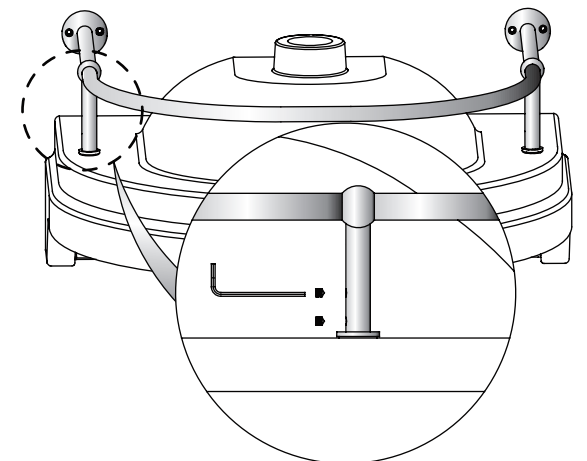
- b: Pull the rail off the connectors, without moving the fittings, and fully tighten the connectors to the basin.

b:

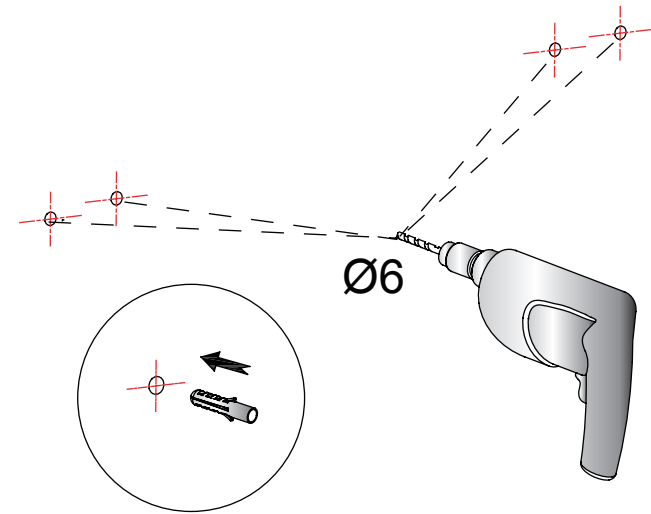
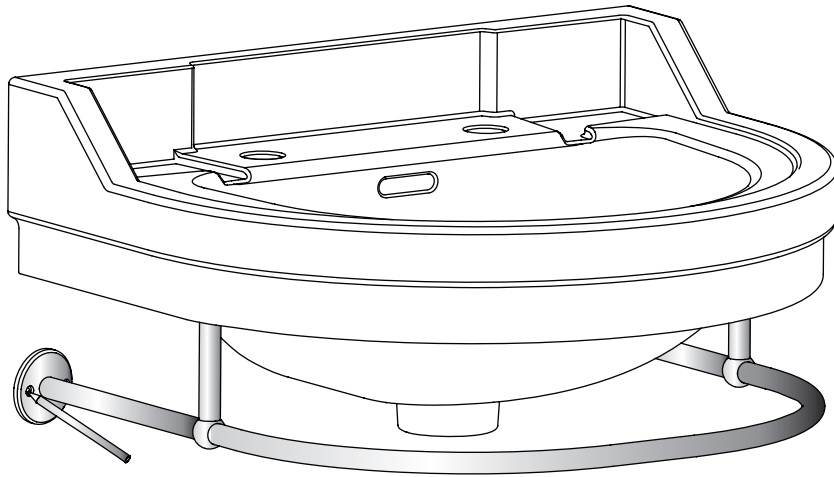


- c: Refit the rail to the connectors and lock in position with the 4 grub screws.

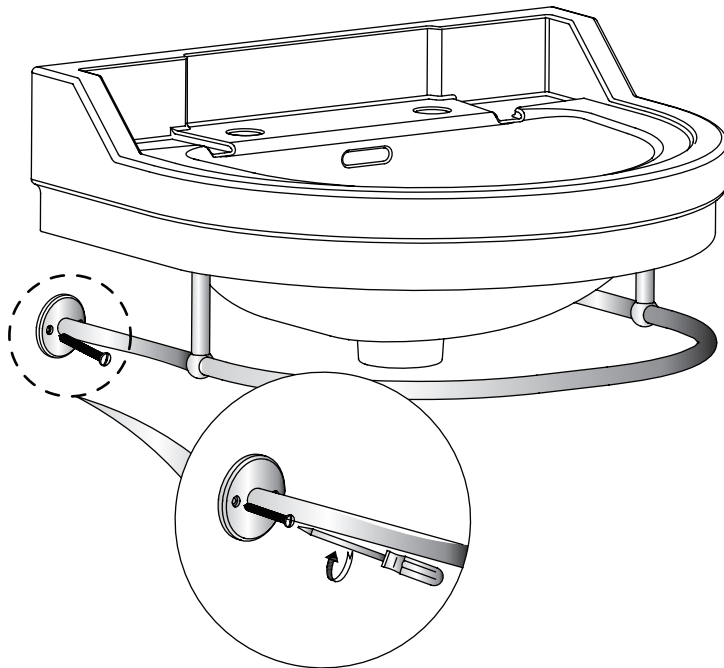
c:



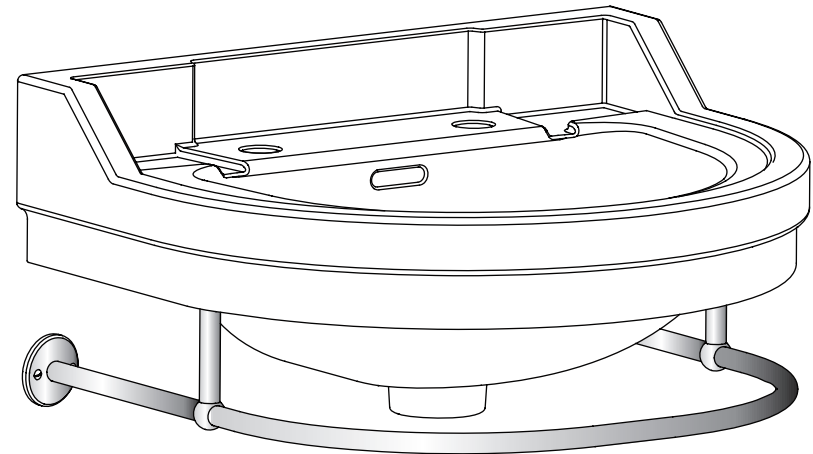
5 Mark and drill the holes in the correct position on the wall before mounting the basin



6



7



Please note the basin should be fixed to the wall using the appropriate holes on the back of the basin.
The fixing of the towel rail to the wall does not void this requirement.