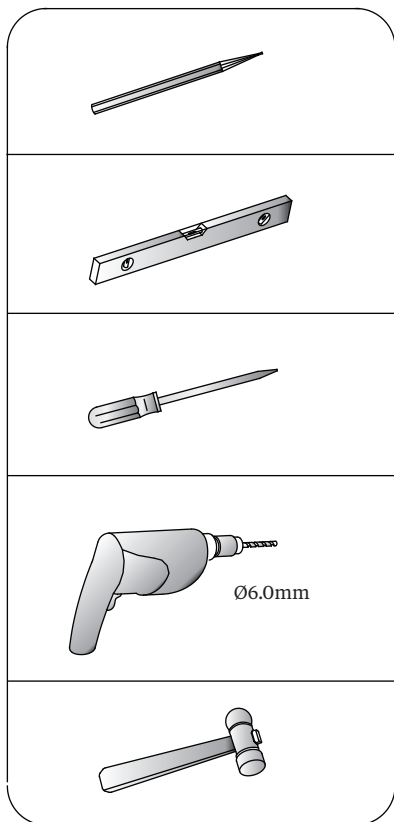


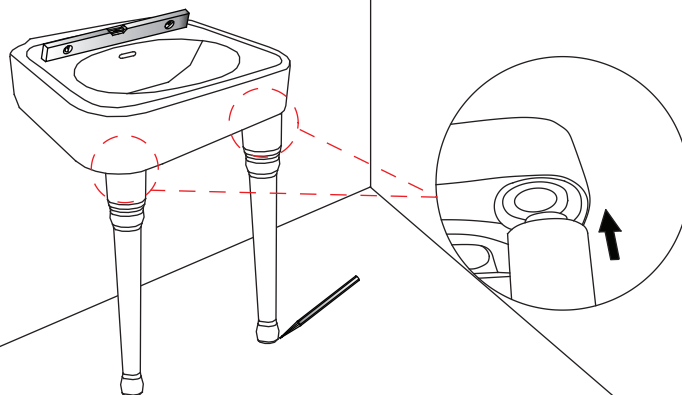
Tools required:



Parts supplied:

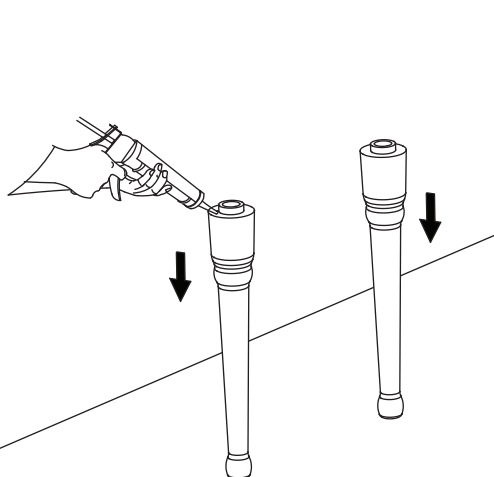


- ① Temporarily mount the basin and also mount the legs under the basin. When the legs are in place, mark the outline of leg base on the floor to confirm the floor fixing position.

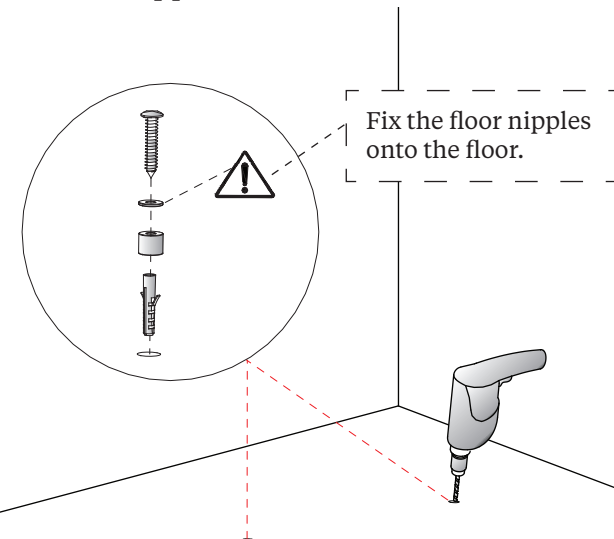


For Health and Safety, the assistance will be required when fitting a basin on to console legs.

- ③ Apply silicone on the top of the legs and locate the legs over the floor nipples.



- ② Fix the floor nipples onto the floor.



- ④ Let the basin sit on the legs and then fix the basin to the wall (wall fixing for basin are not supplied). Make sure the basin is level.

