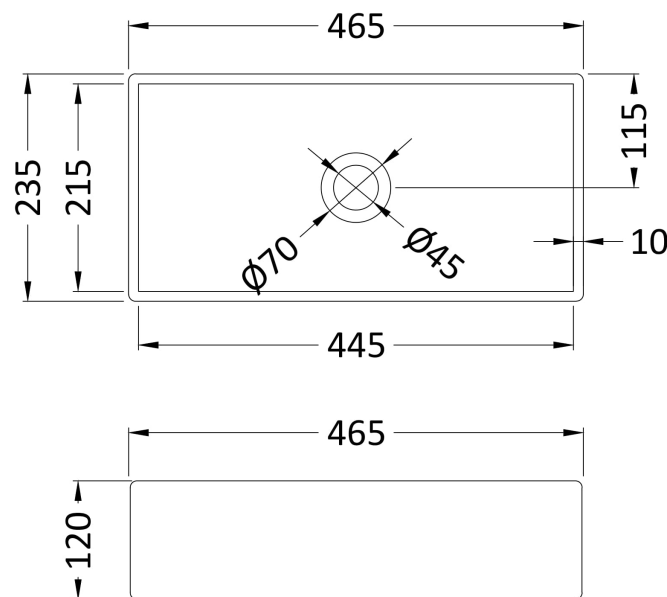


Sales Code: NBV280

Description: Rectangular Basin 465 X 235 X 120



**Product Dimensions**

Height (mm):	0
Width (mm):	0
Depth (mm):	0
Nett Weight (kg):	7.5

**Packaging Dimensions**

Height (mm):	135
Width (mm):	475
Depth (mm):	245
Gross Weight (kg):	8

**Packaging Data**

Box Colour:	Brown Cardboard Box	
Box Qty:	0	
Label Size:	0 x 0	
Label Colour:	White Label	
Label Qty:	0	

**Outer Box Dimensions (If Applicable)**

Height (mm):	
Width (mm):	
Depth (mm):	
Gross Weight (kg):	
Barcode:	5056462625263

**Product Details**

Country of Origin:	China	
Fitting Instruction:	Yes	
Certification: CE & UKCA:	WRAS:	WRAS No:
Product Material:	Vitreous China	
Fixing Supplied:	No	

**Pans/Bidets:** Trap Style: N/A Includes Seat: Not Applicable

**Seats:** Seat Type: N/A Material: Not Applicable  
 Function: Not Applicable Hinge Type: Not Applicable  
 Hinge Material: Not Applicable

**Cisterns:** Operating Type: Not Applicable Fittings: Not Applicable  
 Lever Type: N/A

**Basins:** Tap Hole: No Tapholes Chain Stay Hole: No  
 Template: Not Required Waste Type Req: Unslotted  
 Overflow Inc: No Overflow Cover: No  
 Inner Bowl Depth (mm): 110mm