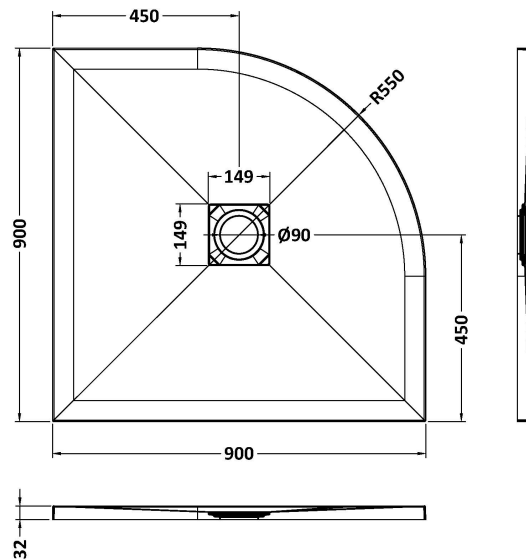
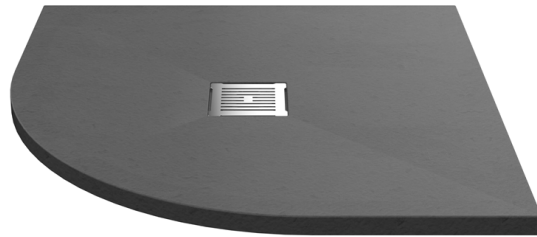


Sales Code: NLT71106

Description: Quadrant Shower Tray 900X900



**Product Dimensions**

|                   |      |
|-------------------|------|
| Length (mm):      | 0    |
| Width (mm):       | 0    |
| Height (mm):      | 0    |
| Nett Weight (kg): | 27.8 |

**Packaging Dimensions**

|                    |      |
|--------------------|------|
| Length (mm):       | 940  |
| Width (mm):        | 940  |
| Height (mm):       | 73   |
| Gross Weight (kg): | 27.8 |

**Packaging Data**

|               |                          |
|---------------|--------------------------|
| Box Colour:   | Shrinkwrap & Polystyrene |
| Box Qty:      | 0                        |
| Label Size:   | 0 x 0                    |
| Label Colour: | White Label              |
| Label Qty:    | 0                        |

**Outer Box Dimensions (If Applicable)**

|                    |               |
|--------------------|---------------|
| Length (mm):       |               |
| Width (mm):        |               |
| Height (mm):       |               |
| Gross Weight (kg): |               |
| Barcode:           | 5056462656175 |

**Product Details**

|                            |                               |
|----------------------------|-------------------------------|
| Country of Origin:         | United Kingdom                |
| Fitting Instruction:       | Yes                           |
| CE & UKCA:                 | Yes                           |
| Colour/Finish:             | Slate Grey                    |
| Product Material:          | Acrylic Capped ABS Caco3 & Pu |
| Material Colour Reference: | Slate Grey                    |
| Radius:                    | 0                             |
| Waste Required (mm):       | 0                             |
| Compatible with Leg Kit:   | No                            |