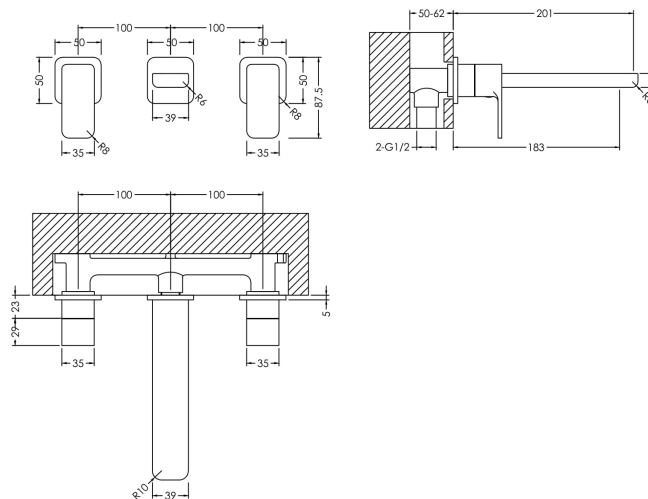


Sales Code: WIN317

Description: Windon W/M 3Th Basin Mixer



Product Dimensions

| | |
|-------------------|------|
| Height (mm): | 75 |
| Width (mm): | 250 |
| Depth (mm): | 201 |
| Length (mm): | |
| Nett Weight (kg): | 2.24 |

Packaging Dimensions

| | |
|--------------------|------|
| Height (mm): | 115 |
| Width (mm): | 185 |
| Depth (mm): | 325 |
| Gross Weight (kg): | 2.24 |

Packaging Data

| | |
|---------------|---------------------|
| Box Colour: | White Cardboard Box |
| Box Qty: | 0 |
| Label Size: | 0 x 0 |
| Label Colour: | White Label |
| Label Qty: | 0 |

Outer Box Dimensions (If Applicable)

| | |
|--------------------|---------------|
| Height (mm): | 600 |
| Width (mm): | 390 |
| Depth (mm): | 340 |
| Length (mm): | |
| Gross Weight (kg): | |
| Barcode: | 5056211898245 |

Product Details

| | |
|------------------------------|--|
| Country of Origin: | China |
| Fitting Instruction: | Yes |
| Product Material: | Brass |
| Control Type: | Manual |
| Waste Included: | Waste Not Included |
| Waste Type: | Not Applicable |
| WRAS Approval: No | Approval No: N/A |
| Valve/Cartridge Type: | 1/4 Turn Ceramic Disc |
| Colour/Finish: | Chrome |
| Mount Type: | Wall |
| Operating Pressure (bar): | 0.2 |
| Flow Rates: (Litres Per Min) | 0.1 bar: 5,8 0.5 bar: 11,9 1 bar: 16,9 2 bar: 24 3 bar: 29,3 |
| Pipe Size: | 1/2" |
| Pipe Centres: | 100 |