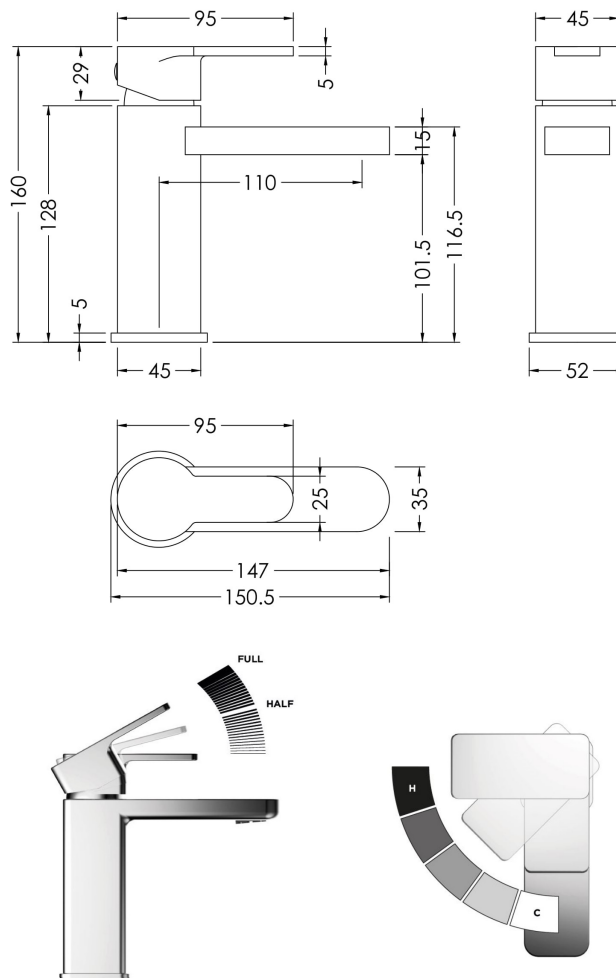


Sales Code: ARV305EC

Description: Eco Mono Basin Mixer P/B Waste



Product Dimensions

| | |
|-------------------|------|
| Height (mm): | 160 |
| Width (mm): | 52 |
| Depth (mm): | 147 |
| Length (mm): | |
| Nett Weight (kg): | 1.75 |

Packaging Dimensions

| | |
|--------------------|------|
| Height (mm): | 95 |
| Width (mm): | 225 |
| Depth (mm): | 275 |
| Gross Weight (kg): | 1.75 |

Packaging Data

| | |
|---------------|---------------------|
| Box Colour: | White Cardboard Box |
| Box Qty: | 0 |
| Label Size: | 0 x 0 |
| Label Colour: | White Label |
| Label Qty: | 0 |

Outer Box Dimensions (If Applicable)

| | |
|--------------------|---------------|
| Height (mm): | 500 |
| Width (mm): | 500 |
| Depth (mm): | 300 |
| Length (mm): | |
| Gross Weight (kg): | |
| Barcode: | 5056462611822 |

Product Details

| | |
|---------------------------|--------------------|
| Country of Origin: | China |
| Fitting Instruction: | Yes |
| Product Material: | Brass |
| Control Type: | Manual |
| Waste Included: | Waste Included |
| Waste Type: | Push Button |
| WRAS Approval: No | Approval No: N/A |
| Valve/Cartridge Type: | Eco Step Cartridge |
| Colour/Finish: | Chrome |
| Mount Type: | Deck |
| Operating Pressure (bar): | 0.2 |

| | | | | | |
|------------------------------|--------------|--------------|------------|------------|------------|
| Flow Rates: (Litres Per Min) | 0.1 bar: 1.1 | 0.5 bar: 2.4 | 1 bar: 3.4 | 2 bar: 4.7 | 3 bar: 5.8 |
| Pipe Size: | 1/2" | | | | |
| Pipe Centres: | N/A | | | | |