

PRODUCT DATA SHEET

Beta Paper Holder Chrome

Product Code: BETA-002



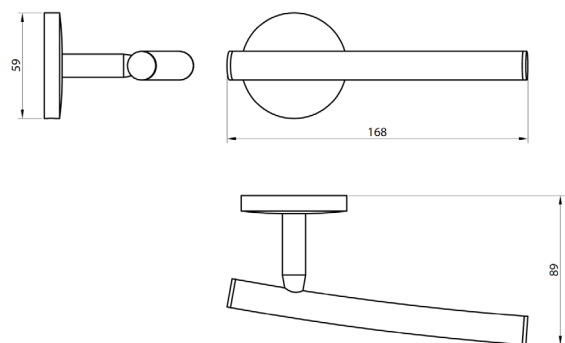
SCUDO
BEAUTIFUL BATHROOMS

0330 124 7290

sales@scudo.co.uk - www.scudo.co.uk

Scudo is the trading name of Harrison Bathrooms Ltd. Whilst we endeavour to ensure that the product information is accurate we accept no liability for any information given. All images are for illustration purposes only. Product images and specification are subject to change. Measurement are in millimetres and are nominal.

Product Measurements	
Product Weight:	0.113kg
Product Width:	168mm
Product Height:	59mm
Product Depth:	N/A
Product Length:	89mm
Product Transportation	
Barcode:	5060713724865
Country of Origin:	China
Comodity Code:	8302500000
Primary Packed Measurements	
Packaged Weight:	0.17kg
Packaged Length:	100mm
Packaged Width:	60mm
Packaged Height:	17mm
Packaging Weight	
Card:	0.057kg
Paper:	N/A
Wood:	N/A
Plastic:	0.05kg
General Information	
Construction Material:	Brass
Installation Type:	Wall Mounted
Colour/Finish:	Chrome



Dimensions (measurements in mm)



LIFETIME GUARANTEE

We are confident in our products and we want our customer to be, we proudly give a lifetime guarantee on our taps and showers, further details can be found on our website