

PRODUCT DATA SHEET

Monza Brushed Bronze Double Towel Rail

Product Code: BRONZEACC-005



SCUDO
BEAUTIFUL BATHROOMS

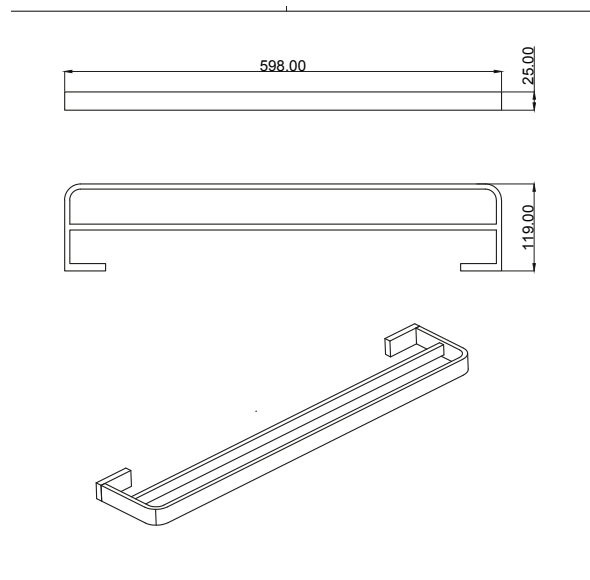
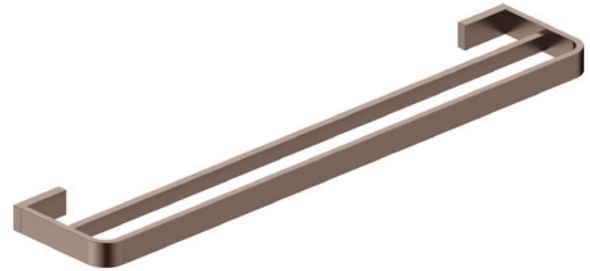
0330 124 7290

sales@scudo.co.uk - www.scudo.co.uk

Scudo is the trading name of Harrison Bathrooms Ltd. Whilst we endeavour to ensure that the product information is accurate we accept no liability for any information given. All images are for illustration purposes only. Product images and specification are subject to change. Measurement are in millimetres and are nominal.

Product Name	BRASSACC-005
Product Description	Brushed Bronze Double Towel Rail
Product Transportation	
Barcode	5060964934389
Country of origin	CH
Commodity code	8302500000
Product Measurements	
Product Weight (KG)	0.400
Product Width (mm)	598
Product Height (mm)	119
Product Depth (mm)	25
Product Length (mm)	0
Primary Packed Measurements	
Packaged Weight	0.425
Packed Length	120
Packed Width	600
Packed Height	30
Packaging Weights	
Card (kg)	0.25
Paper (kg)	0
Wood (kg)	0
Plastic (kg)	0
Compliance DOP	N/a

General Information	
Construction Material	Brass
Installation type	Wall Mounted
Colour / Finish	Brushed Bronze



Dimensions
(measurements in mm)



LIFETIME GUARANTEE

We are confident in our products and we want our customer to be, we proudly give a lifetime guarantee on our taps and showers, further details can be found on our website.