

# PRODUCT DATA SHEET

## Descent Black Wall Mounted Basin Mixer

Product Code: BLACK253ORB



**SCUDO**  
BEAUTIFUL BATHROOMS

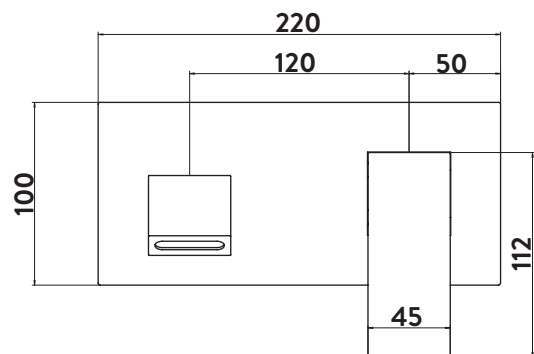
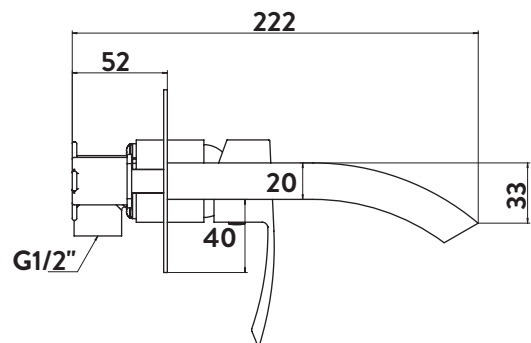
0330 124 7290

sales@scudo.co.uk - www.scudo.co.uk

Scudo is the trading name of Harrison Bathrooms Ltd. Whilst we endeavour to ensure that the product information is accurate we accept no liability for any information given. All images are for illustration purposes only. Product images and specification are subject to change. Measurement are in millimetres and are nominal.

Product Name	BLACK253ORB
Product Description	Matt Black Wall Mounted Basin Mixer
<b>Product Transportation</b>	
Barcode	5060713724551
Contry of origin	CH
Comodity code	8481801190
<b>Product Measurements</b>	
Product Weight (KG)	1.795
Product Width (mm)	220
Product Height (mm)	130
Product Depth (mm)	0
Product Length (mm)	222
<b>Primary Packed Measurements</b>	
Packaged Weight	1.863
Packed Length	26
Packed Width	14.5
Packed Height	13.5
<b>Packaging Weights</b>	
Card (kg)	0.211
Paper (kg)	8
Wood (kg)	n/a
Plastic (kg)	0.015
Compliance DOP	HBDOC007 , HBDOC008

<b>General Information</b>	
Construction Material	Brass
Installation type	Wall Mounted
Colour / Finish	Matt Black
<b>Tap / Shower Attributes</b>	
WRAS Approved	No
TMV Approved	No
Minimum Operating Pressure (bar)	0.2
Maximum Operating Pressure (bar)	5
Flexible Tails Included	No
Number of tap holes required	0
Handle Type	Lever
Swivel Spout	No
Inlet Connection	1/2 BSP
Outlet Connection	N/a
Tap Hole Diameter (mm)	N/a
Tap Type description	Mono Mixer
Includes Waste	No
Valve / Cartridge Type	Single lever cartridges 35mm
Cartridge Spare code	N/a
<b>Flow Rates</b>	
0.2bar (l/min)	2.4
0.5bar (l/min)	5.5
1bar (l/min)	7.8
2bar (l/min)	11
3bar (l/min)	13.4



**Dimensions**  
(measurements in mm)



### LIFETIME GUARANTEE

We are confident in our products and we want our customer to be, we proudly give a lifetime guarantee on our taps and showers, further details can be found on our website.