

PRODUCT DATA SHEET

Premier Shower Mixer

Product Code: TAPI03L



SCUDO
BEAUTIFUL BATHROOMS

0330 124 7290

sales@scudo.co.uk - www.scudo.co.uk

Scudo is the trading name of Harrison Bathrooms Ltd. Whilst we endeavour to ensure that the product information is accurate we accept no liability for any information given. All images are for illustration purposes only. Product images and specification are subject to change. Measurement are in millimetres and are nominal.

Product Measurements

Product Weight:	2.01kg
Product Width:	230mm
Product Height:	109.6mm
Product Depth:	N/A
Product Length:	130mm

Product Transportation

Barcode:	5060500641047
Country of Origin:	China
Comodity Code:	8481801190

Primary Packed Measurements

Packaged Weight:	2.28kg
Packaged Length:	240mm
Packaged Width:	200mm
Packaged Height:	155mm

Packaging Weight

Card:	0.142kg
Paper:	0kg
Wood:	0kg
Plastic:	0.004kg

General Information

Construction Material:	Brass
Installation Type:	Deck Mounted
Colour / Finish:	Chrome

Tap/Shower Attributes

Minimum Pressure:	0.5 bar
Maximum Pressure:	5 bar
Flexible Tails Included:	No
Tap Hole Required:	2
Handle Type:	Lever
Swivel Spout:	No
Inlet Connection:	3/4 BSP
Outlet Connection:	1/2 BSP handset
Tap Hole Diameter:	32mm
Tap Type Description:	Manual Mixer
Includes Waste:	No
Valve / Cartridge Type:	Quarter Turn Cartridge
Cartridge Spare Code:	T8805-08

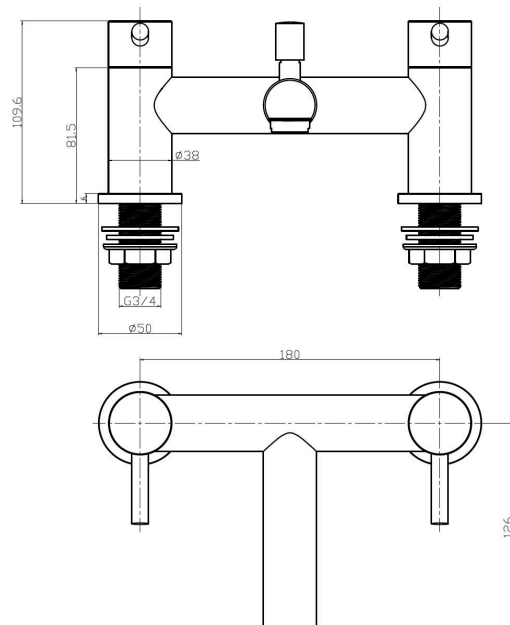
Flow Rates

0.2bar (l/min)	3.5
0.5bar (l/min)	8
1bar (l/min)	10.8
2bar (l/min)	14.8
3bar (l/min)	18.2

Compliance DOP

HBDOC007 / HBDOC008

For Part G Building regulations, compliance see flow regulator section of spec binder.



Dimensions

(measurements in mm)



LIFETIME GUARANTEE

We are confident in our products and we want our customer to be, we proudly give a lifetime guarantee on our taps and showers, further details can be found on our website