

PRODUCT DATA SHEET

Premier Wall Mounted Basin Mixer with EZ box

Product Code: TAP250

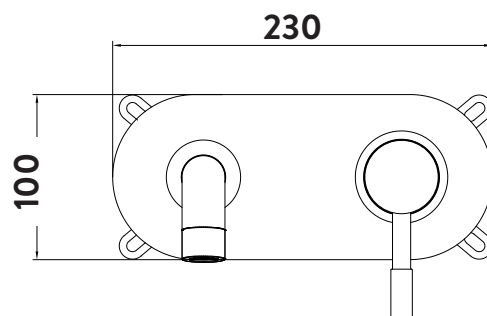
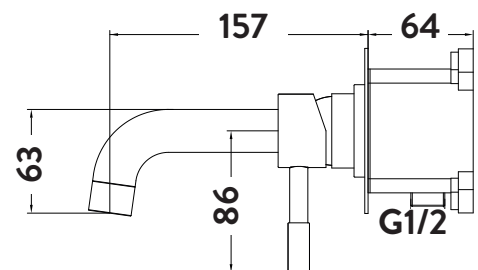


SCUDO
BEAUTIFUL BATHROOMS

0330 124 7290

sales@scudo.co.uk - www.scudo.co.uk

Scudo is the trading name of Harrison Bathrooms Ltd. Whilst we endeavour to ensure that the product information is accurate we accept no liability for any information given. All images are for illustration purposes only. Product images and specification are subject to change. Measurement are in millimetres and are nominal.



Dimensions
(measurements in mm)

Product Name	TAP250
Product Description	Wall Mounted Basin Mixer with EZ box
Product Transportation	
Barcode	5060713724479
Country of origin	CH
Commodity code	8481801190
Product Measurements	
Product Weight (KG)	1.51
Product Width (mm)	230
Product Height (mm)	100
Product Depth (mm)	0
Product Length (mm)	233
Primary Packed Measurements	
Packaged Weight	2
Packed Length	31
Packed Width	19
Packed Height	14
Packaging Weights	
Card (kg)	0.211
Paper (kg)	8
Wood (kg)	n/a
Plastic (kg)	0.052
Compliance DOP	HBDOC007, HBDOC008

General Information	
Construction Material	Brass
Installation type	Wall Mounted
Colour / Finish	Chrome
Tap / Shower Attributes	
WRAS Approved	No
TMV Approved	No
Minimum Operating Pressure (bar)	0.2
Maximum Operating Pressure (bar)	5
Flexible Tails Included	No
Number of tap holes required	0
Handle Type	Lever
Swivel Spout	No
Inlet Connection	1/2 BSP
Outlet Connection	N/a
Tap Hole Diameter (mm)	N/a
Tap Type description	Mono Mixer
Includes Waste	No
Valve / Cartridge Type	Plastic Cartridge
Cartridge Spare code	N/a
Flow Rates	
0.2bar (l/min)	4.3
0.5bar (l/min)	9.1
1bar (l/min)	12.8
2bar (l/min)	18
3bar (l/min)	22



LIFETIME GUARANTEE

We are confident in our products and we want our customer to be, we proudly give a lifetime guarantee on our taps and showers, further details can be found on our website.