

PRODUCT DATA SHEET

Ella 800 Floor Unit

Product Code: ELLA-800FLOORUNIT-ANTHRACITE



SCUDO
BEAUTIFUL BATHROOMS

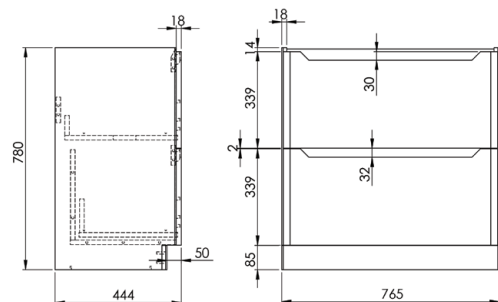
0330 124 7290

sales@scudo.co.uk - www.scudo.co.uk

Scudo is the trading name of Harrison Bathrooms Ltd. Whilst we endeavour to ensure that the product information is accurate we accept no liability for any information given. All images are for illustration purposes only. Product images and specification are subject to change. Measurement are in millimetres and are nominal.

| | |
|------------------------------------|--------------------------------|
| Product Name | ELLA-800FLOORUNIT-ANTHRACITE |
| Product Description | Ella 800 Floor Unit Anthracite |
| Product Transportation | |
| Barcode | 5060766124889 |
| Contry of origin | TRK |
| Comodity code | 9403609000 |
| Product Measurements | |
| Product Weight (KG) | 36 |
| Product Width (mm) | 765 |
| Product Height (mm) | 780 |
| Product Depth (mm) | 444 |
| Product Length (mm) | 0 |
| Primary Packed Measurements | |
| Packaged Weight | 38 |
| Packed Length | 480 |
| Packed Width | 810 |
| Packed Height | 0 |
| Packaging Weights | |
| Card (kg) | 1.9 |
| Paper (kg) | 0 |
| Wood (kg) | 0 |
| Plastic (kg) | 0.1 |
| Compliance DOP | N/a |

| | |
|--|------------------|
| General Information | |
| Construction Material | Melamine |
| Installation type | Floor Mounted |
| Colour / Finish | Anthracite |
| Furniture Attributes | |
| Supplied Fully Assembled | Yes |
| Number Of Drawers | 2 |
| Number Of Doors | 0 |
| Soft Close Doors / Drawers | Yes |
| Moisture resistant | Yes |
| Internal Shelves | 0 |
| Door Opening Width (mm) | N/a |
| Draw Opening Distance (mm) | 0 |
| Recommended Concealed Cistern | 0 |
| False Draws | No |
| Number of False Draws | No |
| Can the door be swapped over to open the oppersite way | N/a |
| Which side is the door hinge located | N/a |
| Compatible Furniture Part Code | Ella |
| Compatible Basin Part Code | DEEP800 |
| Handles | |
| Handle Style | Recessed cut out |
| Handle Finish | N/a |
| Handle Material | N/a |
| Number of Handles | 2 |



Dimensions (measurements in mm)



LIFETIME GUARANTEE

We are confident in our products and we want our customer to be, we proudly give a lifetime guarantee on our taps and showers, further details can be found on our website