

PRODUCT DATA SHEET

Integrated Douche Valve Brushed Brass

Product Code: DOUCHE011

Product Name	DOUCHE011
Product Description	Integrated Douche Valve , Brushed Brass
Product Transportation	
Barcode	5060964935317
Country of origin	CH
Commodity code	8481804090
Product Measurements	
Product Weight (KG)	1.254
Product Width (mm)	See Line Drawing
Product Height (mm)	See Line Drawing
Product Depth (mm)	See Line Drawing
Product Length (mm)	0
Primary Packed Measurements	
Packaged Weight	1.36
Packed Length	175
Packed Width	90
Packed Height	80
Packaging Weights	
Card (kg)	0.065
Paper (kg)	0.006
Wood (kg)	0.003
Plastic (kg)	0.003
Compliance DOP	

General Information	
Construction Material	Brass , Stainless Steel
Installation type	Wall Mounted
Colour / Finish	Brushed Brass
Tap / Shower Attributes	
WRAS Approved	No
TMV Approved	No
Minimum Operating Pressure (bar)	0.5
Maximum Operating Pressure (bar)	5
Flexible Tails Included	No
Number of tap holes required	1
Handle Type	Metal Mixer
Swivel Spout	N/a
Inlet Connection	1/2 BSP
Outlet Connection	1/2 BSP
Tap Hole Diameter (mm)	N/a
Tap Type description	Manual Mixer
Includes Waste	No
Valve / Cartridge Type	35mm Cartridge
Cartridge Spare code	N/a
Flow Rates	
0.2bar (l/min)	5.5
0.5bar (l/min)	9
1bar (l/min)	12.7
2bar (l/min)	18
3bar (l/min)	22.8

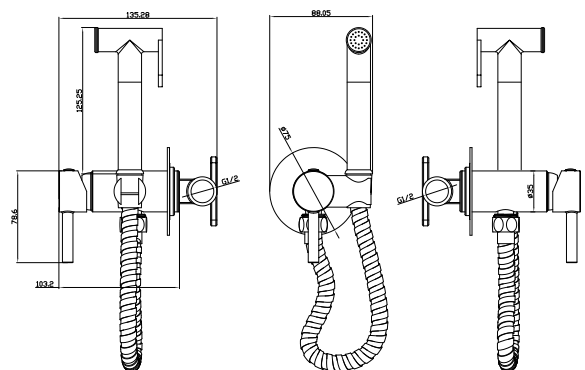


SCUDO
BEAUTIFUL BATHROOMS

0330 124 7290

sales@scudo.co.uk - www.scudo.co.uk

Scudo is the trading name of Harrison Bathrooms Ltd. Whilst we endeavour to ensure that the product information is accurate we accept no liability for any information given. All images are for illustration purposes only. Product images and specification are subject to change. Measurement are in millimetres and are nominal.



Dimensions (Measurements in mm)



LIFETIME GUARANTEE

We are confident in our products and we want our customer to be, we proudly give a lifetime guarantee on our taps and showers, further details can be found on our website