

PRODUCT DATA SHEET

S8 Offset Double Door Quadrant 1200x900mm Pack 1

Product Code: SCUD12X9Q-P1



SCUDO
BEAUTIFUL BATHROOMS

0330 124 7290

sales@scudo.co.uk - www.scudo.co.uk

Scudo is the trading name of Harrison Bathrooms Ltd. Whilst we endeavour to ensure that the product information is accurate we accept no liability for any information given. All images are for illustration purposes only. Product images and specification are subject to change. Measurement are in millimetres and are nominal.

Product Measurements

Product Weight:	30.5kg
Product Width:	900mm
Product Height:	1900mm
Product Depth:	8mm
Product Length:	1200mm

Product Transportation

Barcode:	5060500648992
Country of Origin:	China
Comodity Code:	7610909095

Primary Packed Measurements

Packaged Weight:	33.5kg
Packaged Length:	1980mm
Packaged Width:	690mm
Packaged Height:	100mm

Packaging Weight

Card:	2.5kg
Paper:	N/A
Wood:	N/A
Plastic:	N/A

General Information

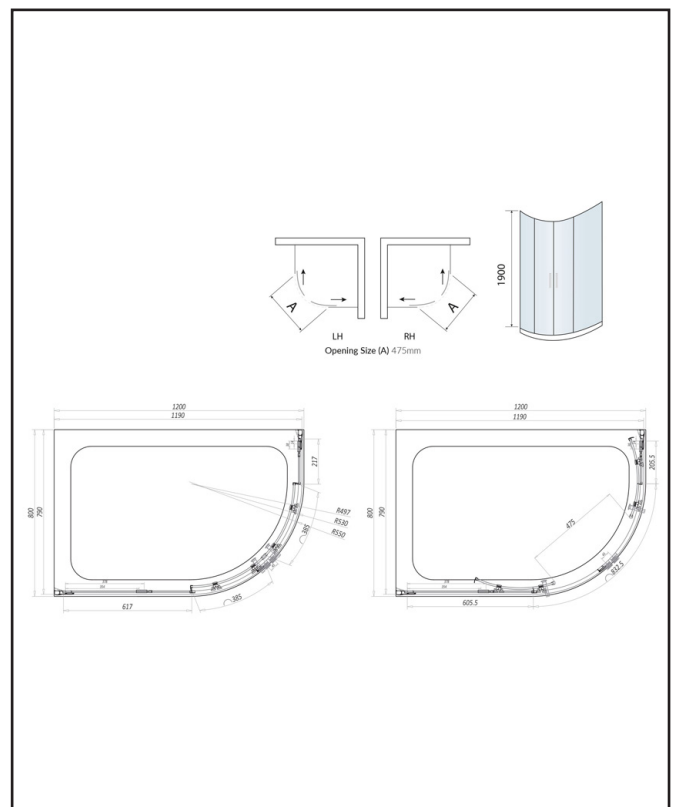
Construction Material:	Aluminium / Glass
Installation Type:	Wall Mounted
Colour / Finish:	Chrome / Clear Glass

Enclosure Attributes

Adjustment:	1170-1190mm / 870-890mm
Aqua-Shield:	Yes
Hinge Type:	Sliding
Door Type:	Double Door
Frame Type:	Framed
Glass Type:	Clear
Radius:	550mm
Entry Width:	520mm
Door In Swing:	N/A
Door Out Swing:	N/A
Enclosure Shape:	Quadrant
Glass Thickness:	8mm
Profile Finish/Colour:	Chrome
Profile Material:	Aluminium

Compliance DOP

HBDOC094 / HBDOC095



Dimensions

(measurements in mm)



LIFETIME GUARANTEE

We are confident in our products and we want our customer to be, we proudly give a lifetime guarantee on our taps and showers, further details can be found on our website

PRODUCT DATA SHEET

S8 Offset Double Door Quadrant 1200x900mm Pack 2

Product Code: SCUD12X9Q-P2



SCUDO
BEAUTIFUL BATHROOMS

0330 124 7290

sales@scudo.co.uk - www.scudo.co.uk

Scudo is the trading name of Harrison Bathrooms Ltd. Whilst we endeavour to ensure that the product information is accurate we accept no liability for any information given. All images are for illustration purposes only. Product images and specification are subject to change. Measurement are in millimetres and are nominal.

Product Measurements

Product Weight:	29.5kg
Product Width:	900mm
Product Height:	1900mm
Product Depth:	8mm
Product Length:	1200mm

Product Transportation

Barcode:	5060766123080
Country of Origin:	China
Comodity Code:	7610909095

Primary Packed Measurements

Packaged Weight:	33.5kg
Packaged Length:	1960mm
Packaged Width:	440mm
Packaged Height:	100mm

Packaging Weight

Card:	2.5kg
Paper:	N/A
Wood:	N/A
Plastic:	N/A

General Information

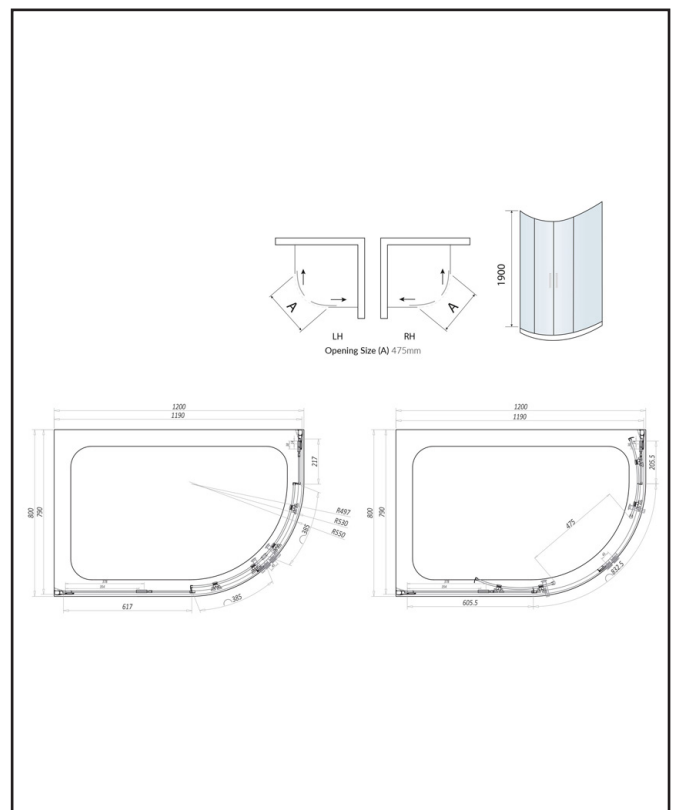
Construction Material:	Aluminium / Glass
Installation Type:	Wall Mounted
Colour / Finish:	Chrome / Clear Glass

Enclosure Attributes

Adjustment:	1170-1190mm / 870-890mm
Aqua-Shield:	Yes
Hinge Type:	Sliding
Door Type:	Double Door
Frame Type:	Framed
Glass Type:	Clear
Radius:	550mm
Entry Width:	520mm
Door In Swing:	N/A
Door Out Swing:	N/A
Enclosure Shape:	Quadrant
Glass Thickness:	8mm
Profile Finish/Colour:	Chrome
Profile Material:	Aluminium

Compliance DOP

HBDOC094 / HBDOC095



Dimensions

(measurements in mm)



LIFETIME GUARANTEE

We are confident in our products and we want our customer to be, we proudly give a lifetime guarantee on our taps and showers, further details can be found on our website