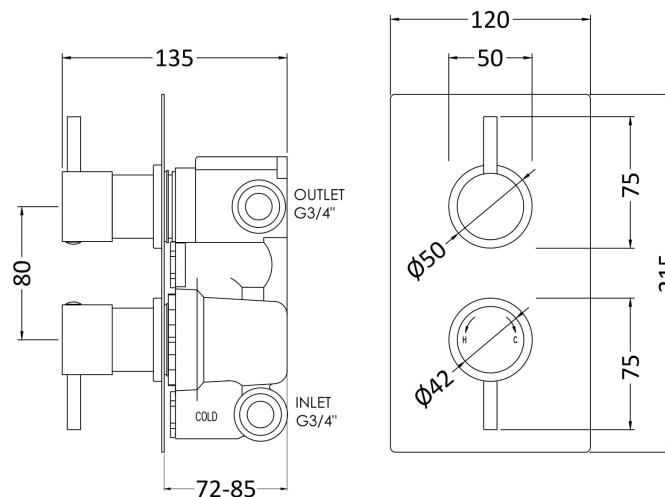


Sales Code: QUEV52

Description: Quest Twin Valve Built In Div Rec Plate



Product Dimensions

Length (mm):	
Width (mm):	120
Height (mm):	215
Depth (mm):	135
Nett Weight (kg):	3.04

Packaging Dimensions

Length (mm):	250
Width (mm):	240
Height (mm):	130
Gross Weight (kg):	3.04

Packaging Data

Box Colour:	White Cardboard Box
Box Qty:	1
Label Size:	100 x 50
Label Colour:	White Label
Label Qty:	2

Outer Box Dimensions (If Applicable)

Length (mm):	
Width (mm):	495
Height (mm):	420
Depth (mm):	280
Gross Weight (kg):	18
Barcode:	5055146197638

Product Details

Country of Origin:	United Kingdom
Fitting Instruction:	No
Product Material:	Brass/ABS
Mount Type:	Wall, Recessed
Outlet Elbow Supplied:	No
Easy Clean:	Not Applicable
Head Included:	No
Handset Included:	No
Body Jets Included:	No
No of Body Jets:	Not Applicable
Operating Pressure (bar):	0.5
Valve/Cartridge Type:	1/4 Turn Ceramic Disc
Flow Rates (L/min): 0.1 bar: N/A 0.5 bar: 13 1 bar: 17 2 bar: 24 3 bar: 27	
TMV2 Approved: No	Approval No: N/A
TMV3 Approved: No	Approval No: N/A
WRAS Approved: No	Approval No: N/A
Head Function:	Not Applicable
Handset Function:	Not Applicable
Body Jet Info:	Not Applicable
Pipe Size:	15 mm & 22 mm
Pipe Centres:	N/A
Colour/Finish:	Chrome
Hose Included:	Not Applicable
No. of Outlets:	2