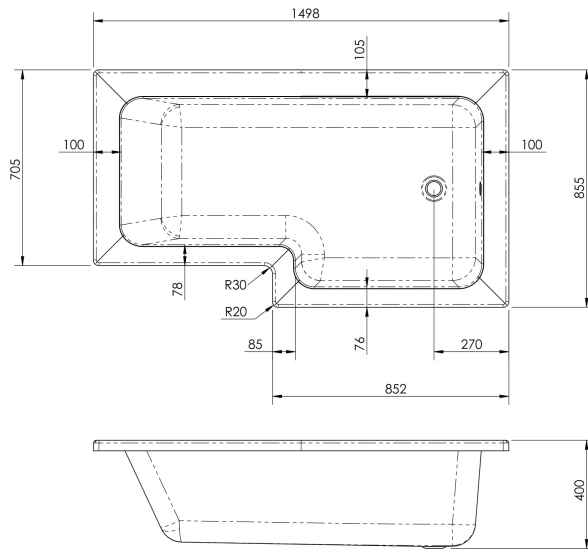


Sales Code: WBS1585R

Description: Square Shower Bath R/H 1500X850

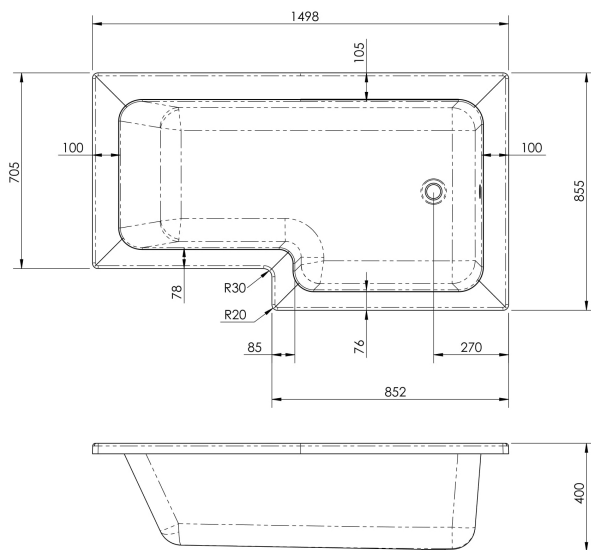
Packaging Details

Barcode: 5056211822288



Sales Code: WBS104

Description: 1500mm Square Shower Bath Rh



Product Dimensions

| | |
|-------------------|------|
| Length (mm): | 1500 |
| Width (mm): | 850 |
| Depth (mm): | 390 |
| Nett Weight (kg): | 24.5 |

Packaging Dimensions

| | |
|--------------------|------|
| Length (mm): | 1500 |
| Width (mm): | 850 |
| Depth (mm): | 425 |
| Gross Weight (kg): | 24.5 |

Packaging Data

| | |
|---------------|------------------------|
| Box Colour: | Brown Cardboard Sleeve |
| Box Qty: | 1 |
| Label Size: | 300 x 35 |
| Label Colour: | White Label |
| Label Qty: | 2 |

Outer Box Dimensions (If Applicable)

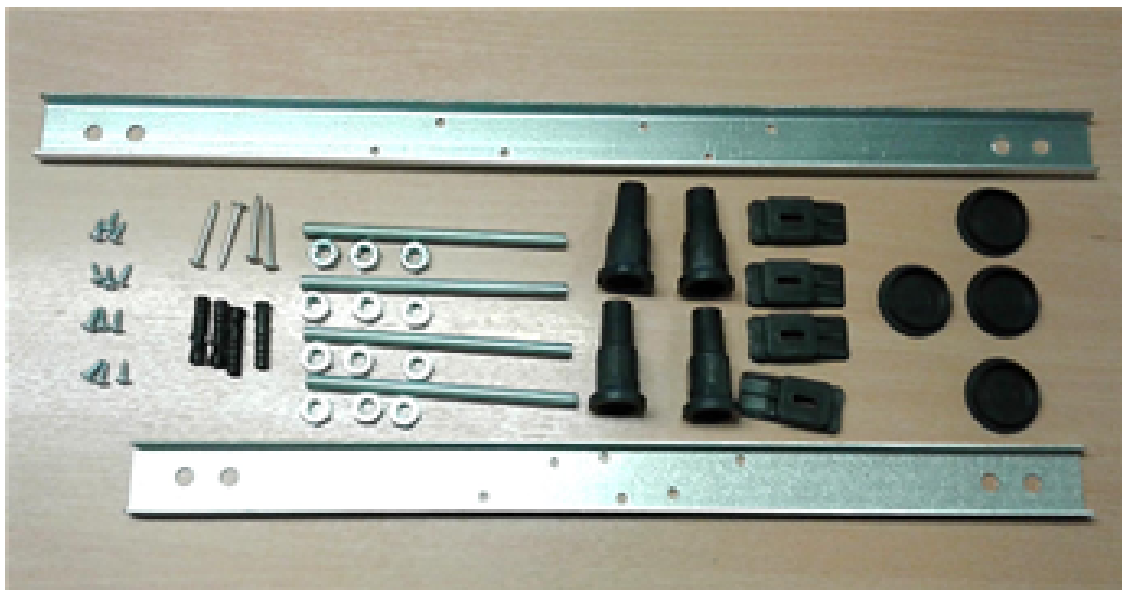
| | |
|--------------------|---------------|
| Length (mm): | |
| Width (mm): | |
| Height (mm): | |
| Gross Weight (kg): | |
| Barcode: | 5055275824535 |

Product Details

| | |
|----------------------------|---------------------|
| Country of Origin: | Turkey |
| Fitting Instruction: | No |
| Certification: | FSC: CE & UKCA: Yes |
| Material Colour Reference: | European White |
| Product Material: | Acrylic |
| Material Thickness: | 4mm |
| Volume (Ltr): | 200L |
| Displaced Capacity: | 130L |
| Leg Set Included: | Legset Not Included |
| Waste Included: | Waste Not Included |
| Drilled/Undrilled: | Undrilled For Taps |
| Includes Grips: | No Grips Supplied |
| Embossed: | No |
| No of Tapholes: | None |
| Anti-Slip: | No |

Sales Code: WBL001

Description: Bath Leg Set



Product Dimensions

Length (mm):
 Width (mm): 600
 Depth (mm): 60
 Nett Weight (kg): 2.5

Packaging Dimensions

Length (mm): 600
 Width (mm): 60
 Depth (mm): 60
 Gross Weight (kg): 2.5

Packaging Data

Box Colour: Brown Cardboard Sleeve
 Box Qty: 1
 Label Size: 100 x 50
 Label Colour: White Label
 Label Qty: 2

Outer Box Dimensions (If Applicable)

Length (mm):
 Width (mm):
 Height (mm):
 Gross Weight (kg):
 Barcode: 5056211809197

Product Details

Country of Origin: Poland
 Fitting Instruction: No
 Certification: FSC: CE & UKCA:

Material Colour Reference:

Product Material:

Material Thickness:

Volume (Ltr):

Displaced Capacity:

Leg Set Included:

Waste Included:

Drilled/Undrilled:

Includes Grips:

Embossed:

No of Tapholes:

Anti-Slip: