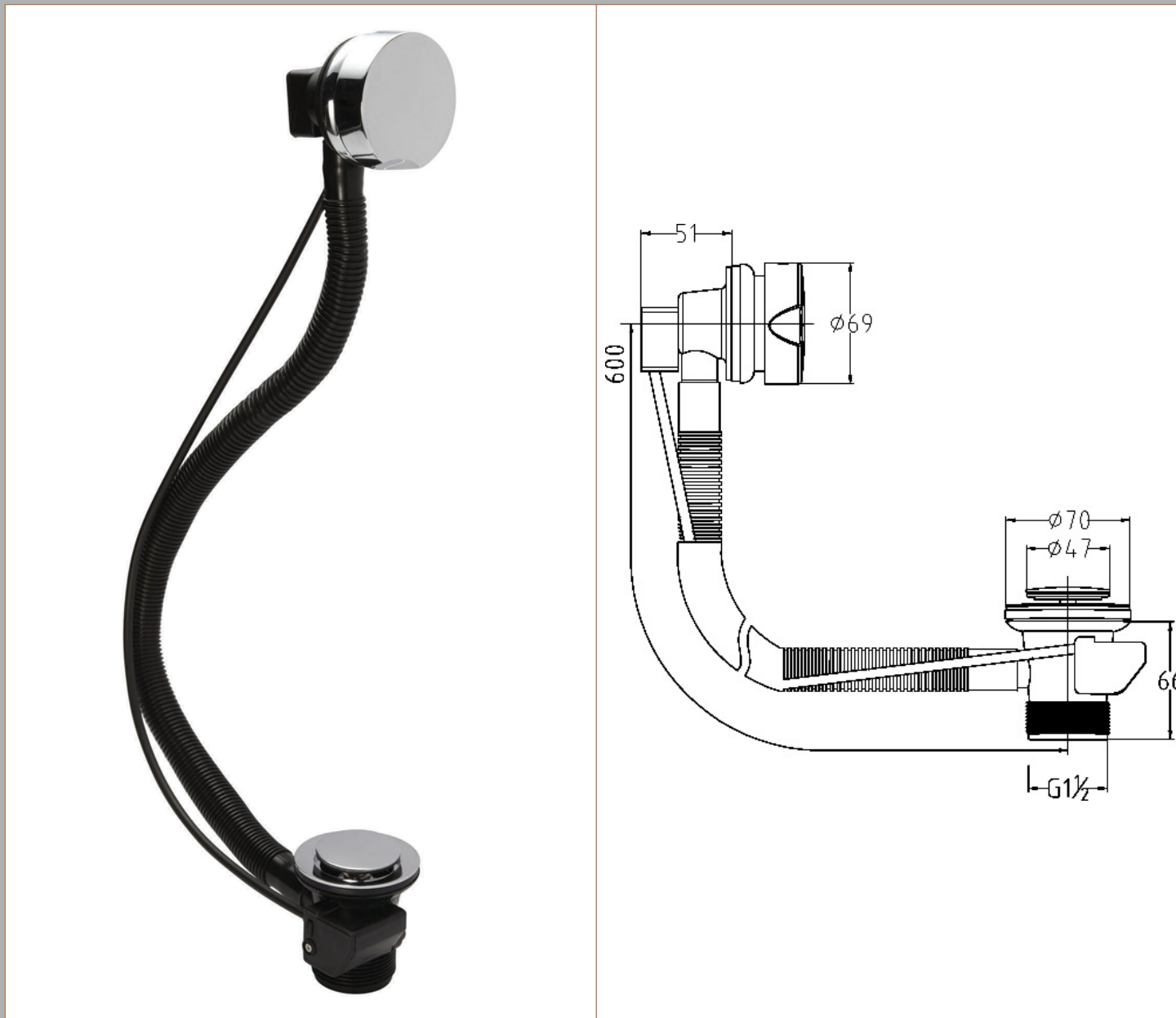


Sales Code: EA318

Description: Economy Bath Pop-Up Waste & Overflow



Product Dimensions

| | |
|-------------------|------|
| Length (mm): | |
| Width (mm): | 69 |
| Height (mm): | 69 |
| Depth (mm): | 51 |
| Nett Weight (kg): | 0.59 |

Packaging Dimensions

| | |
|--------------------|------|
| Height (mm): | 140 |
| Width (mm): | 330 |
| Depth (mm): | 80 |
| Gross Weight (kg): | 0.65 |

Packaging Data

| | |
|---------------|---------------------|
| Box Colour: | White Cardboard Box |
| Box Qty: | 1 |
| Label Size: | 100 x 50 |
| Label Colour: | White Label |
| Label Qty: | 2 |

Outer Box Dimensions (If Applicable)

| | |
|--------------------|---------------|
| Height (mm): | 440 |
| Width (mm): | 350 |
| Length (mm): | |
| Depth (mm): | |
| Gross Weight (kg): | 8 |
| Barcode: | 5055369000555 |

Product Details

| | |
|--------------------------|----------------|
| Country of Origin: | United Kingdom |
| Fitting Instruction: | No |
| CE & UKCA: | N/A |
| Product Material: | Brass |
| Heating Element Wattage: | Not Applicable |
| Colour/Finish: | Chrome |
| Product Diameter: | 69mm |
| Connection Size: | 1 1/2" |