

# PRODUCT DATA SHEET

## Towel Rail Valves

Product Code: TRV009



**SCUDO**  
BEAUTIFUL BATHROOMS

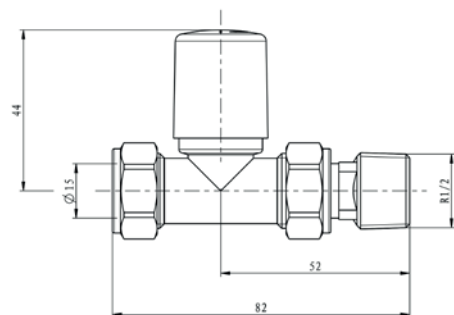
0330 124 7290

sales@scudo.co.uk - www.scudo.co.uk

Scudo is the trading name of Harrison Bathrooms Ltd. Whilst we endeavour to ensure that the product information is accurate we accept no liability for any information given. All images are for illustration purposes only. Product images and specification are subject to change. Measurement are in millimetres and are nominal.

Product Name	TRV009
Product Description	Modern Towel Rail Valves Straight (Pair)
<b>Product Transportation</b>	
Barcode	5060766128498
Country of origin	CH
Commodity code	8481804090
<b>Product Measurements</b>	
Product Weight (KG)	0.383
Product Width (mm)	The same as Length
Product Height (mm)	51.5
Product Depth (mm)	No
Product Length (mm)	82
<b>Primary Packed Measurements</b>	
Packaged Weight	0.407
Packed Length	145
Packed Width	90
Packed Height	35
<b>Packaging Weights</b>	
Card (kg)	0.024
Paper (kg)	0
Wood (kg)	0
Plastic (kg)	0.5
Compliance DOP	HBD0C088 & HBD0C089

<b>General Information</b>	
Construction Material	Brass
Installation type	Valve
Colour / Finish	Brushed Brass
<b>Heating Valve Specification</b>	
Type	Straight
Shape	Round
Thermostatic	No
Connection Size (Ø)	1/2 BSP
<b>Element Specification</b>	
Rated Power Supply	N/a
Wattage (W)	N/a
Supplied with dual fuel T Piece	N/a
IP Rating	N/a



**Dimensions**  
(measurements in mm)



### LIFETIME GUARANTEE

We are confident in our products and we want our customer to be, we proudly give a lifetime guarantee on our taps and showers, further details can be found on our website