

PRODUCT DATA SHEET

Designer TRV Angled Valve (Pair)

Product Code: DES-TRV-ANG-BLK



SCUDO
BEAUTIFUL BATHROOMS

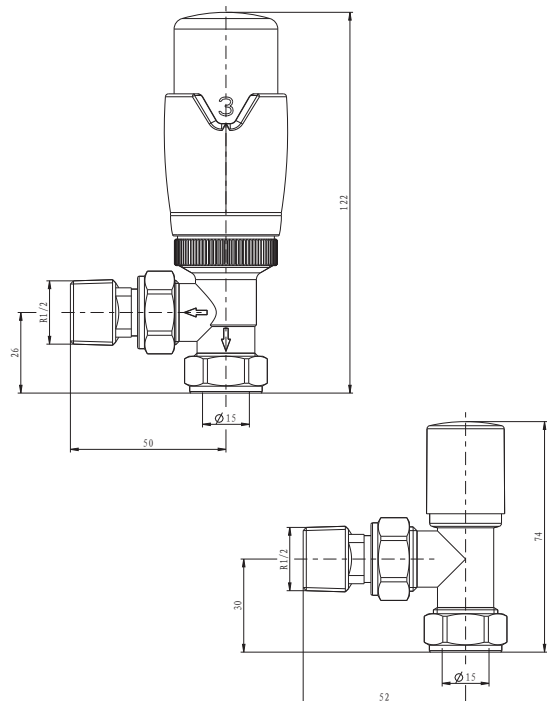
0330 124 7290

sales@scudo.co.uk - www.scudo.co.uk

Scudo is the trading name of Harrison Bathrooms Ltd. Whilst we endeavour to ensure that the product information is accurate we accept no liability for any information given. All images are for illustration purposes only. Product images and specification are subject to change. Measurements are in millimetres and are nominal.

Product Name	DES-TRV-ANG-BLK
Product Description	Designer Twin Pack TRV Angled Valve
Product Transportation	
Barcode	5060766128559
Country of origin	CN
Commodity code	8481804090
Product Measurements	
Product Weight (KG)	0.4
Product Width (mm)	-
Product Height (mm)	-
Product Depth (mm)	-
Primary Packed Measurements	
Packaged Weight	0.41
Packed Length	70
Packed Width	120
Packed Height	90

General Information	
Construction Material	Brass
Installation type	Valve
Colour / Finish	Black
Heating Valve Specification	
Type	Angled
Shape	Contemporary
Thermostatic	Yes
Connection Size (Ø)	1/2 BSP
Element Specification	
Rated Power Supply	N/a
Wattage (W)	N/a
Supplied with dual fuel T Piece	No
IP Rating	N/a



Dimensions (Measurements in mm)



LIFETIME GUARANTEE

We are confident in our products and we want our customer to be, we proudly give a lifetime guarantee on our taps and showers, further details can be found on our website.