

PRODUCT DATA SHEET

Designer TRV Straight Valve (Pair)

Product Code: DES-TRV-STR-ANT



SCUDO
BEAUTIFUL BATHROOMS

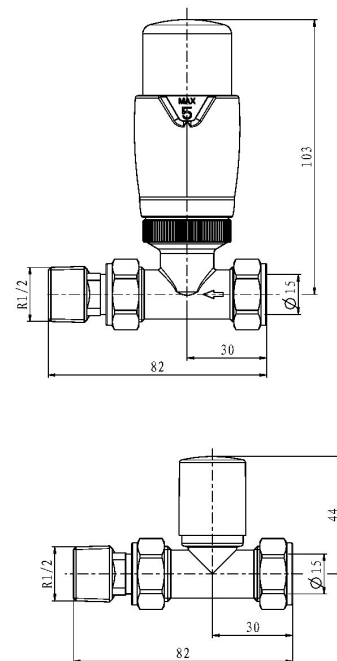
0330 124 7290

sales@scudo.co.uk - www.scudo.co.uk

Scudo is the trading name of Harrison Bathrooms Ltd. Whilst we endeavour to ensure that the product information is accurate we accept no liability for any information given. All images are for illustration purposes only. Product images and specification are subject to change. Measurements are in millimetres and are nominal.

| | |
|------------------------------------|---------------------------------------|
| Product Name | DES-TRV-STR-ANT |
| Product Description | Designer Twin Pack TRV Straight Valve |
| Product Transportation | |
| Barcode | 5060766128573 |
| Country of origin | CN |
| Commodity code | 8481804090 |
| Product Measurements | |
| Product Weight (KG) | 0.4 |
| Product Width (mm) | - |
| Product Height (mm) | - |
| Product Depth (mm) | - |
| Primary Packed Measurements | |
| Packaged Weight | 0.41 |
| Packed Length | 70 |
| Packed Width | 120 |
| Packed Height | 90 |

| | |
|------------------------------------|--------------|
| General Information | |
| Construction Material | Brass |
| Installation type | Valve |
| Colour / Finish | Anthracite |
| Heating Valve Specification | |
| Type | Straight |
| Shape | Contemporary |
| Thermostatic | Yes |
| Connection Size (Ø) | 1/2 BSP |
| Element Specification | |
| Rated Power Supply | N/a |
| Wattage (W) | N/a |
| Supplied with dual fuel T Piece | No |
| IP Rating | N/a |



Dimensions
(Measurements in mm)



LIFETIME GUARANTEE

We are confident in our products and we want our customer to be, we proudly give a lifetime guarantee on our taps and showers, further details can be found on our website.