

DX BF C

DECADE BRI Tap Range Decade Bath Filler Chrome



Specification

Style:	Contemporary
Product Type:	Bathroom Taps
Main Construction Material:	Brass
Mount Type:	Deck Mounted
Handle Type:	Cross Head
Connection Inlet:	G 3/4" BSP
Connection Outlet:	N/A
Number of Tap Holes:	2
Valve/Cartridge Type:	1/4 Turn 3/4" Ceramic Disc Valves
Plumbing System Requirements:	All
Working Pressure Range:	Min. 0.2, Max. 5.0 bar
Maximum Hot Water Temperature: °C	65
Maximum Dynamic Pressure: (bar)	5
Maximum Static Pressure: (bar)	10
Flow Type:	Single
Flow Rate: (l/min @ 3 bar)	57.5
Isolation Included:	No

Features:

- Metal Backnuts
- Ceramic Disc

Product Certifications:

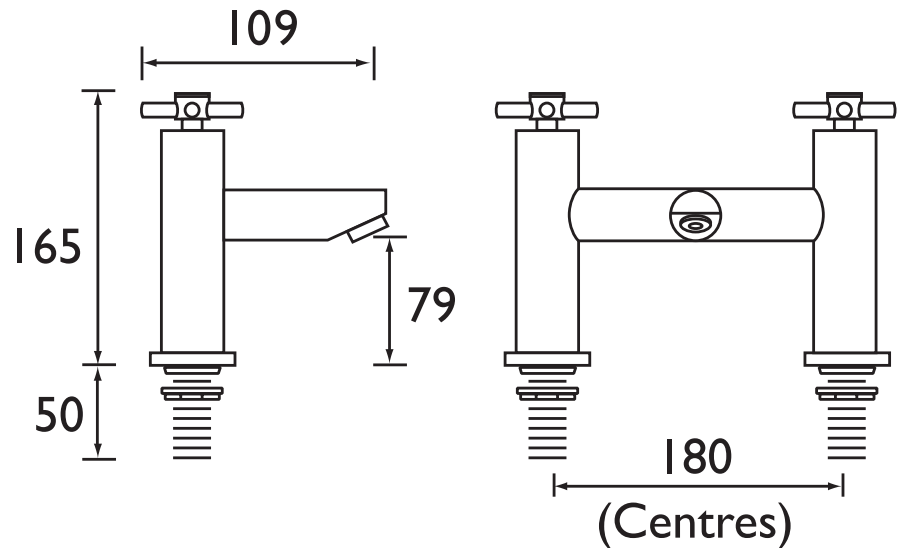


WRAS Certificate No: 1311085
WRAS Expiry Date: 30/11/2018

For more products, visit our website:
<http://www.bristan.com>



Dimensions (measurements in mm)



Flow Rates (l/min)

System Pressure (bar)	0.2	0.5	1	2	3	5
DX BF C	14.9	23.4	33.2	46.9	57.5	74.2

TECHNICAL DATA SHEET



BRISTAN

TAPS & SHOWERS

D2