

TAN 1HBF C

TANGRAM Tap Range Tangram 1 hole Bath Filler Chrome



Features:

- Long life ceramic cartridge for added durability and smooth control.
- Flexible tails included for easy installation; complete the look with our matching W BATH03 C waste
- A hard-wearing, flawless, scratch resistant chrome finish that lasts for years. Salt spray tested to ensure added durability.
- 10-year parts and 1 year labour guarantee for peace of mind.
- Also available in black and brushed brass.
- Co-ordinating Bathroom taps available.

Product Certifications:

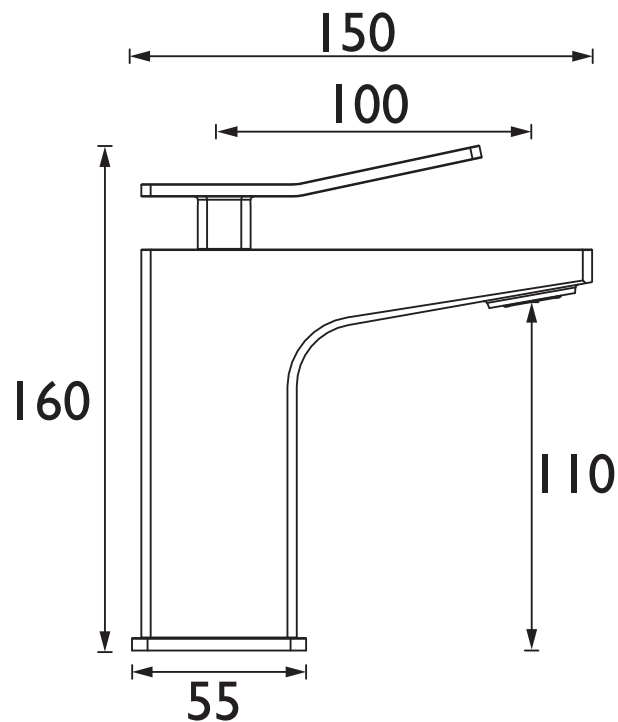
For more products, visit our website:
<http://www.bristan.com>



Specification

Product Type:	Bathroom Taps
Main Construction Material:	Brass
Mount Type:	Deck
Handle Type:	Flick Up
Connection Inlet:	1/2" BSP Flexible Tails
Connection Outlet:	M24 Recessed Honeycomb Aerator
Number of Tap Holes:	1
Valve/Cartridge Type:	40mm Upper Seal Cartridge
Plumbing System Requirements:	Suitable for all plumbing systems
Minimum Dynamic Pressure (bar):	1 bar
Maximum Dynamic Pressure (bar):	5 bar
Maximum Hot Water Temperature °C:	60°C
Maximum Static Pressure (bar):	10 bar
Flow Type:	Single
Isolation Included:	No

Dimensions (measurements in mm)



Flow Rates (l/min)

System Pressure (bar)	1	2	3	5
TAN 1HBF C (mixed)	15	21.1	25.2	34.2

TECHNICAL
DATA
SHEET



BRISTAN

D1