

# SAFFRON BLK SHWR PK

# SAFFRON Shower Range

## Saffron Black Concealed Dual Control Shower Pack



### Features:

- All in one box - pack includes shower valve with integral two outlet diverter, slimline 200mm round fixed head with shower arm, and shower kit with an adjustable riser rail plus a multi function handset and wall outlet.
- Rub clean handset and fixed head - limescale and debris build-up is quickly and easily removed by rubbing a finger or a cloth over the nozzles.
- On-trend matt black finish to make a statement in your bathroom.
- Slim design recessed shower valve will fit into a cavity space as small as 35mm for hassle-free installation.
- Dual control - Flow and temperature are operated separately giving accurate control of both.
- Cartridge can be accessed from the front for easy servicing.
- 15mm inlet connections.
- Fitting depth including plasterboard and tiles is 60mm - 75mm.
- 5-year parts and 1 year labour guarantee for peace of mind.
- Also available in chrome and brushed brass.
- Co-ordinating range of Bathroom taps available.

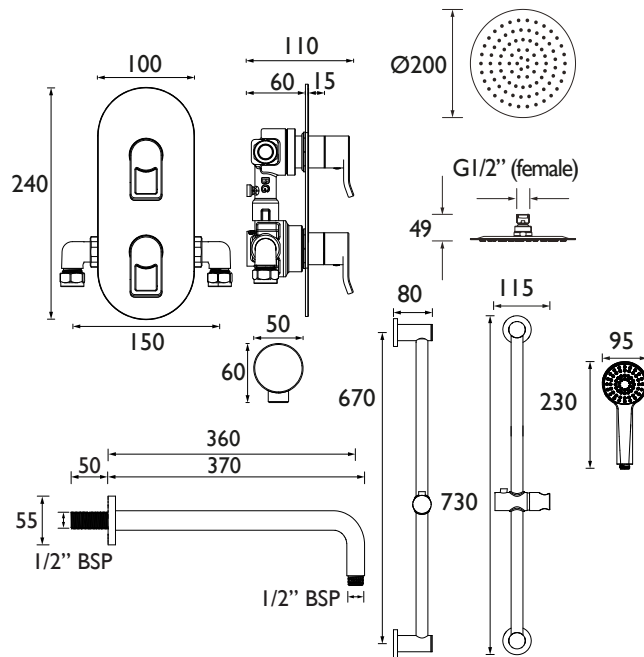
### Product Certifications:



### Specification

Finish/Colour:	Black
Main Construction Material:	Brass; ABS
No of Controls:	2
Shower Type:	Dual Control
Shower Head Type:	Fixed Head and Adjustable Riser Kit
Valve/Cartridge Type:	Thermostatic Cartridge & 40mm Single Lever Cartridge
Maximum Hot Water Supply Temperature °C:	65
Plumbing System Suitability:	Suitable for all plumbing systems
Minimum Dynamic Pressure (bar):	0.2
Maximum Dynamic Pressure (bar):	5
Maximum Static Pressure (bar):	10
Connection Inlet:	15mm Compression
Connection Outlet:	G 1/2"
Isolation Valve Included:	No
Check Valve Included:	Yes

### Dimensions (measurements in mm)



### Flow Rates (l/min)

System Pressure (bar)	0.2	0.5	1	2	3	5
Through Handset (mixed)	2.7	5	7.3	7.8	8.9	9.8
Through Fixed Head (mixed)	3.6	5.9	6.5	8.1	8.5	9.6
Through Handset (without flow regulators)	3.1	5.8	8.7	12.9	16	21
Through Fixed Head (without flow regulators)	5.9	9.3	13.5	19.5	23.3	24.8

# TECHNICAL DATA SHEET



# BRISTAN

D1