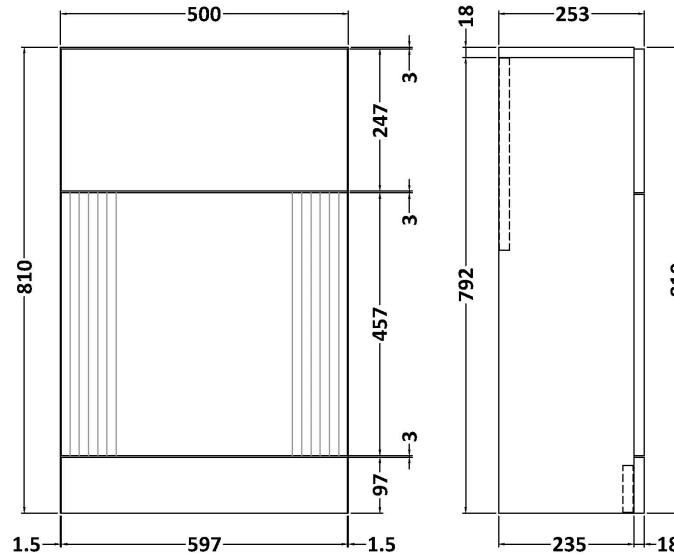


Sales Code: FLT341

Description: 500 Wc Unit



Product Dimensions

| | |
|-------------------|------|
| Height (mm): | 810 |
| Width (mm): | 500 |
| Depth (mm): | 253 |
| Nett Weight (kg): | 18.5 |

Packaging Dimensions

| | |
|--------------------|-----|
| Height (mm): | 830 |
| Width (mm): | 620 |
| Depth (mm): | 275 |
| Gross Weight (kg): | 19 |

Packaging Data

| | |
|---------------|-------------------------------|
| Box Colour: | Brown Cardboard Box - Printed |
| Box Qty: | 0 |
| Label Size: | 0 x 0 |
| Label Colour: | Not Applicable |
| Label Qty: | 0 |

Outer Box Dimensions (If Applicable)

| | |
|--------------------|---------------|
| Height (mm): | |
| Width (mm): | |
| Depth (mm): | |
| Gross Weight (kg): | |
| Barcode: | 5056462655628 |

Product Details

| | |
|--------------------------|-------------------|
| Country of Origin: | China |
| Fitting Instruction: | No |
| CE & UKCA: | |
| FSC Certified Materials: | Yes |
| Colour: | Satin Blue |
| Construction Method: | Cam & Wood Dowel |
| Construction Type: | Rigid |
| Cabinet Finish: | MFC Painted Gloss |
| Fascia Finish: | Mdf Painted Gloss |
| Cabinet Thickness (mm): | 16 |
| Fascia Thickness (mm): | 18 |
| Drawer Included: | No |
| Drawer Type: | Not Applicable |
| No of Shelves: | 0 |
| Hinge Type: | Not Applicable |
| Hinge Included: | No |
| Adjustable Legs: | No, Not Required |
| Fixings Included: | Yes |
| Handle Style: | Not Applicable |
| Waste Shroud: | Not Applicable |
| Handle Included: | Yes, Supplied |
| Handle Type: | Not Applicable |