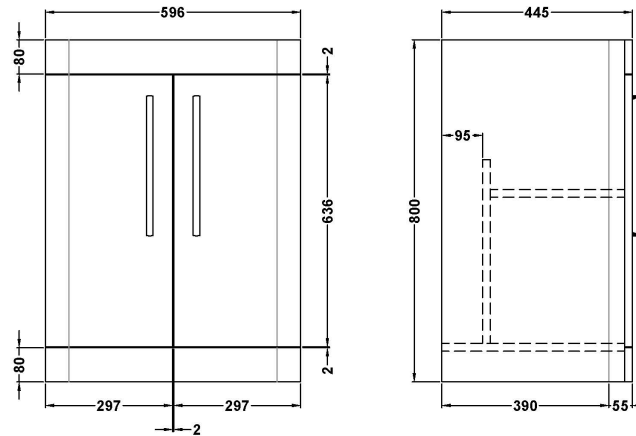


Sales Code: PMP192

Description: 600 Floor Standing 2-Door Basin Unit



### Product Dimensions

Height (mm):	800
Width (mm):	596
Depth (mm):	445
Nett Weight (kg):	25

### Packaging Dimensions

Height (mm):	850
Width (mm):	600
Depth (mm):	455
Gross Weight (kg):	25

### Packaging Data

Box Colour:	Brown Cardboard Box - Printed
Box Qty:	1
Label Size:	100 x 50
Label Colour:	White Label
Label Qty:	2

### Outer Box Dimensions (If Applicable)

Height (mm):	
Width (mm):	
Depth (mm):	
Gross Weight (kg):	
Barcode:	5056462618562

### Product Details

Country of Origin:	China
Fitting Instruction:	No
CE & UKCA:	N/A
FSC Certified Materials:	Yes
Colour:	Gloss White
Construction Method:	Cam & Wood Dowel
Construction Type:	Rigid
Cabinet Finish:	MFC Smooth Matt
Fascia Finish:	Mdf Painted Gloss
Cabinet Thickness (mm):	18
Fascia Thickness (mm):	18
Drawer Included:	Not Applicable
Drawer Type:	Not Applicable
No of Shelves:	1
Hinge Type:	95 Degree Soft Close
Hinge Included:	Yes, Supplied
Adjustable Legs:	No
Fixings Included:	No
Handle Style:	Contemporary
Waste Shroud:	No
Handle Included:	Yes
Handle Type:	Cup