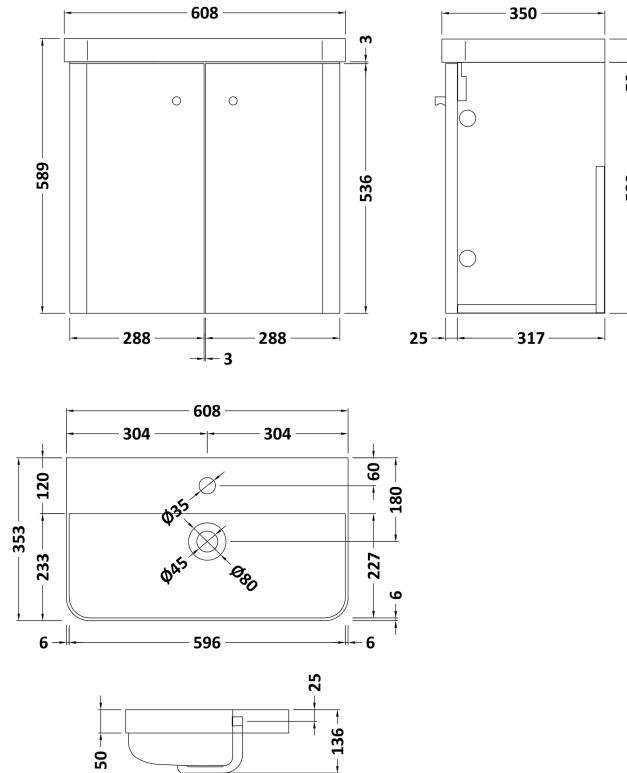


Sales Code: COR105

Description: 600 Wall Hung 2-Door Unit & Basin

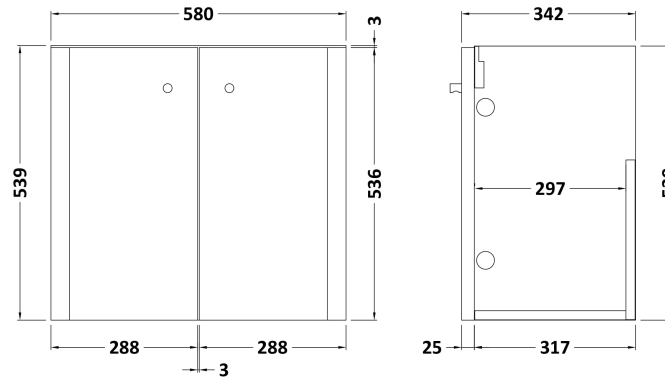


### Packaging Details

Barcode: 5056211897163

Sales Code: RC0154

Description: 600 Wall Hung 2-Door Unit



### Product Dimensions

|                   |      |
|-------------------|------|
| Height (mm):      | 539  |
| Width (mm):       | 579  |
| Depth (mm):       | 342  |
| Nett Weight (kg): | 17.5 |

### Packaging Dimensions

|                    |     |
|--------------------|-----|
| Height (mm):       | 560 |
| Width (mm):        | 600 |
| Depth (mm):        | 340 |
| Gross Weight (kg): | 18  |

### Packaging Data

|               |                               |
|---------------|-------------------------------|
| Box Colour:   | Brown Cardboard Box - Printed |
| Box Qty:      | 1                             |
| Label Size:   | 100 x 50                      |
| Label Colour: | Not Applicable                |
| Label Qty:    | 0                             |

### Outer Box Dimensions (If Applicable)

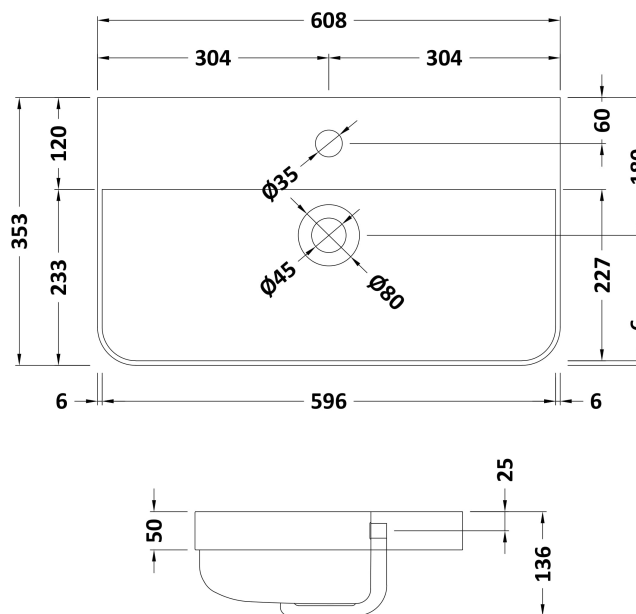
|                    |               |
|--------------------|---------------|
| Height (mm):       |               |
| Width (mm):        |               |
| Depth (mm):        |               |
| Gross Weight (kg): |               |
| Barcode:           | 5056211853374 |

### Product Details

|                          |                              |
|--------------------------|------------------------------|
| Country of Origin:       | China                        |
| Fitting Instruction:     | No                           |
| CE & UKCA:               | N/A                          |
| FSC Certified Materials: | Yes                          |
| Colour:                  | Gloss White                  |
| Construction Method:     | Cam & Wood Dowel             |
| Construction Type:       | Rigid                        |
| Cabinet Finish:          | MFC Painted Gloss            |
| Fascia Finish:           | Mdf Painted Gloss            |
| Cabinet Thickness (mm):  | 16                           |
| Fascia Thickness (mm):   | 25                           |
| Drawer Included:         | No                           |
| Drawer Type:             | Not Applicable               |
| No of Shelves:           | 0                            |
| Hinge Type:              | 95 Degree Clip-On Soft Close |
| Hinge Included:          | Yes                          |
| Adjustable Legs:         | No                           |
| Fixings Included:        | Yes                          |
| Handle Style:            | Modern                       |
| Waste Shroud:            | No                           |
| Handle Included:         | Yes                          |
| Handle Type:             | Knob                         |

Sales Code: RC004

Description: 600 Thin Edge Basin 1Th (Radius Corners)



### Product Dimensions

|                   |      |
|-------------------|------|
| Height (mm):      | 135  |
| Width (mm):       | 605  |
| Depth (mm):       | 355  |
| Nett Weight (kg): | 10.5 |

### Packaging Dimensions

|                    |     |
|--------------------|-----|
| Height (mm):       | 415 |
| Width (mm):        | 640 |
| Depth (mm):        | 210 |
| Gross Weight (kg): | 11  |

### Packaging Data

|               |                               |
|---------------|-------------------------------|
| Box Colour:   | Brown Cardboard Box - Printed |
| Box Qty:      | 1                             |
| Label Size:   | 130 x 95                      |
| Label Colour: | Not Applicable                |
| Label Qty:    | 0                             |

### Outer Box Dimensions (If Applicable)

|                    |               |
|--------------------|---------------|
| Height (mm):       |               |
| Width (mm):        |               |
| Depth (mm):        |               |
| Gross Weight (kg): |               |
| Barcode:           | 5056211853404 |

### Product Details

|                           |                |
|---------------------------|----------------|
| Country of Origin:        | China          |
| Fitting Instruction:      | No             |
| Certification: CE & UKCA: | No             |
| WRAS:                     | N/A            |
| WRAS No:                  | N/A            |
| Product Material:         | Vitreous China |
| Fixing Supplied:          | No             |

**Pans/Bidets:** Trap Style: Not Applicable Includes Seat: Not Applicable

**Seats:** Seat Type: Not Applicable Material: Not Applicable  
Function: Not Applicable Hinge Type: Not Applicable  
Hinge Material: Not Applicable

**Cisterns:** Operating Type: Not Applicable Fittings: Not Applicable  
Lever Type: Not Applicable

**Basins:** Tap Hole: One Taphole Chain Stay Hole: No  
Template: Not Required Waste Type Req: Slotted  
Overflow Inc: Yes Overflow Cover: Yes  
Inner Bowl Depth (mm): 86 mm