

Technical Datasheet

Product Code: 238H1080QLH-C

Product Description: Hydro45 Stone Tray 1000X800LH OS Quad White



Specification

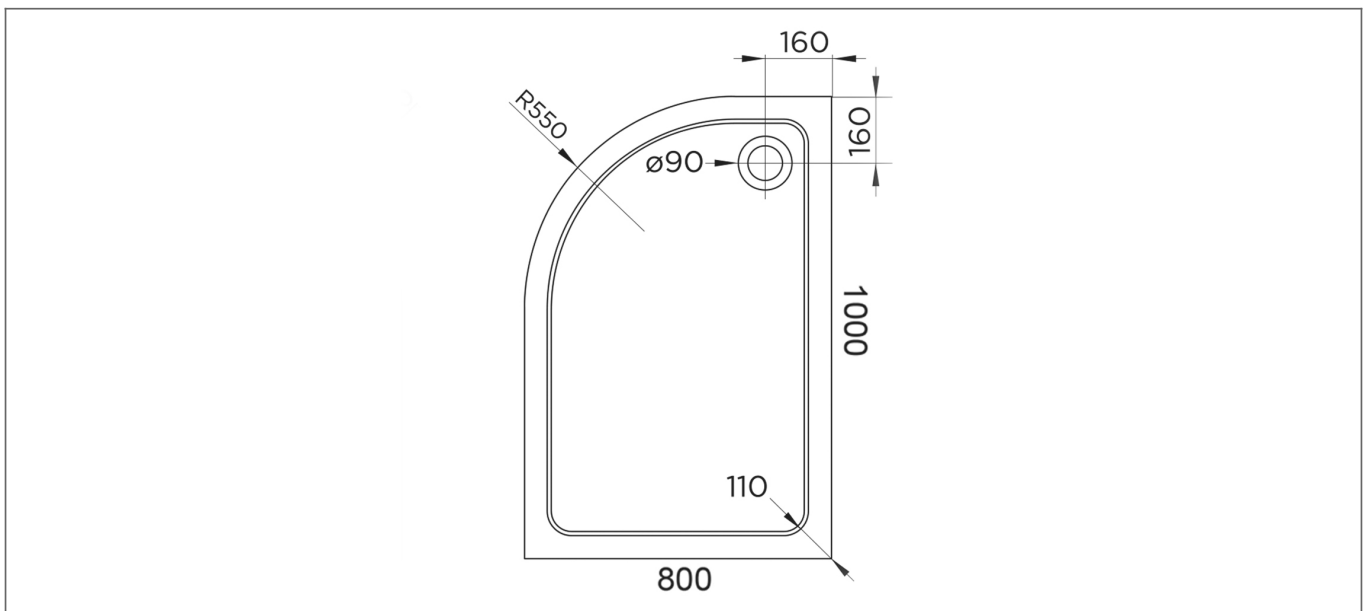
Material:	Acrylic Capped Bonded Resin
Style:	Modern
Shape:	Offset Quadrant
Colour:	White
Product Guarantee:	10 Years
Barcode:	5031978059962
Product Length (mm):	1000
Product Width (mm):	800
Product Height (mm):	45



Key Features

- Designed to last & provide leak free shower relaxation
- Manufactured from 45mm acrylic capped stone resin
- 90mm fast flow waste also available for easy installation
- Can be installed to the floor or with a riser kit
- Leg & panel set available to purchase separately
- 28 sizes available to meet your bathroom requirements

Technical Drawing



Dimensions: All measurements are in millimetres and are subject to normal manufacturing variations.

Due to a continuing development programme to improve design and performance, we reserve all rights to vary specifications without prior notice. Please note, all accessories are for photographic purposes only.