

PRODUCT DATA SHEET

Marble Wall Mounted Basin Carrara 300x250x100 Honed

Product Code: BASINMB-300-CARRARA



SCUDO
BEAUTIFUL BATHROOMS

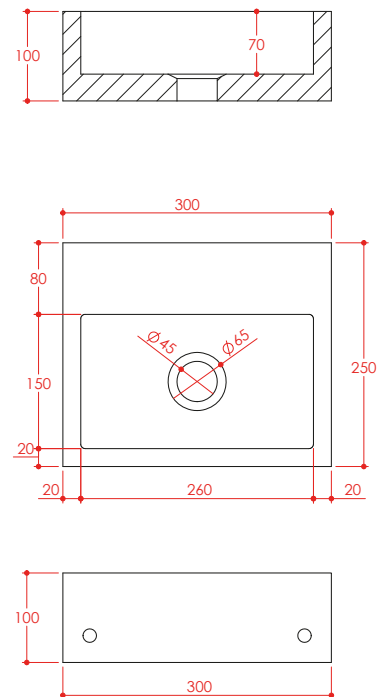
0330 124 7290

sales@scudo.co.uk - www.scudo.co.uk

Scudo is the trading name of Harrison Bathrooms Ltd. Whilst we endeavour to ensure that the product information is accurate we accept no liability for any information given. All images are for illustration purposes only. Product images and specification are subject to change. Measurement are in millimetres and are nominal.

Product Name	BASINMB-300-CARRARA
Product Description	Marble Wall Mounted Basin Carrara 300x250x100 Honed
Product Transportation	
Barcode	5060964936055
Country of origin	CH
Commodity code	6802910090
Product Measurements	
Product Weight (KG)	12.50
Product Width (mm)	300
Product Height (mm)	100
Product Depth (mm)	250
Primary Packed Measurements	
Packaged Weight	13
Packed Height	310
Packed Width	160
Packed Length	360

General Information	
Construction Material	Marble
Installation type	Furniture mounted
Colour / Finish	Venato Carrara
Basin Attributes	
Basin Type	Wall Mounted
Number of Tap Holes	0
Overflow	No
Recommended waste type	Unslotted/Universal
Inner Bowl Width (mm)	260
Inner Bowl Length (mm)	150
Inner Bowl Depth (mm)	70



Dimensions
(measurements in mm)



LIFETIME GUARANTEE

We are confident in our products and we want our customer to be, we proudly give a lifetime guarantee on our taps and showers, further details can be found on our website.