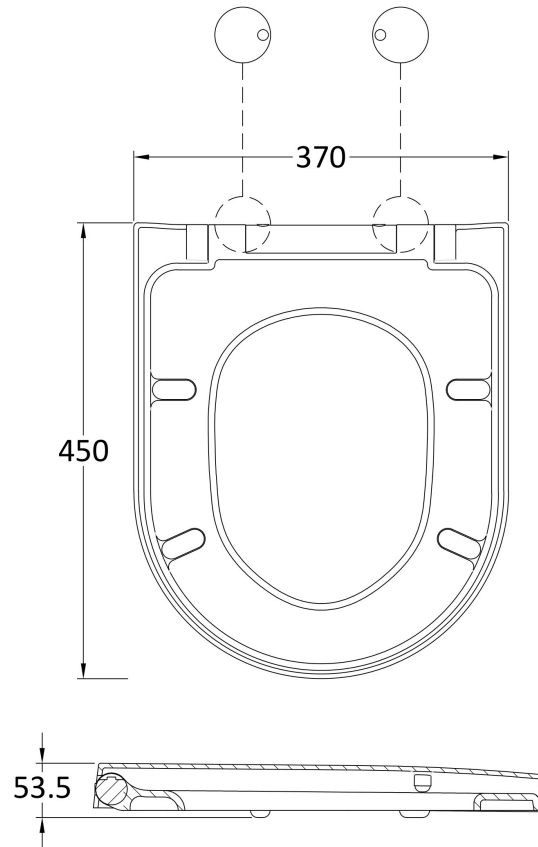


Sales Code: NTS007B

Description: D Shape Sc Seat, Qr, Top Fix, Black Caps

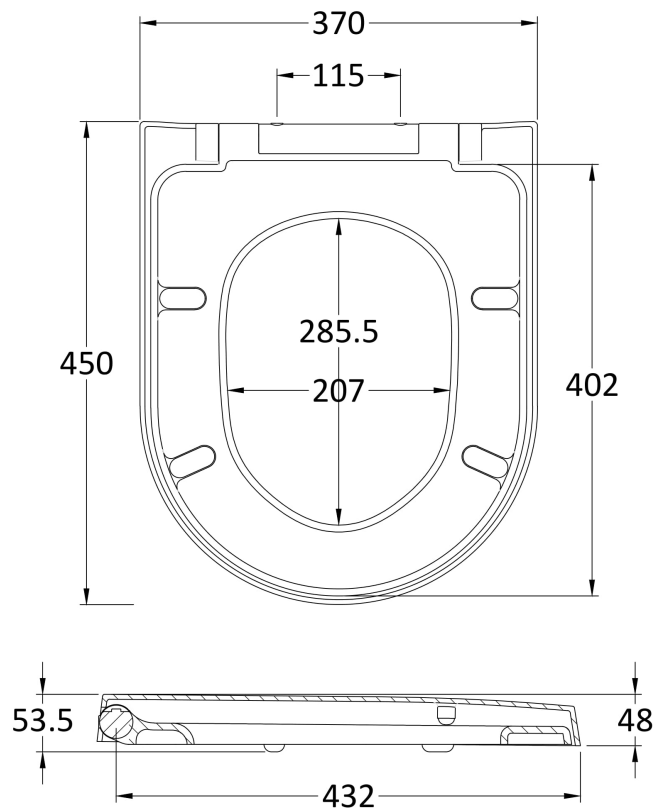
Packaging Details

Barcode: 5056678448304



Sales Code: NTS007

Description: Luxury D Shape Seat, Sc, Qr, Top Fix



Product Dimensions

Length (mm):	450
Width (mm):	370
Height (mm):	54
Nett Weight (kg):	1.72

Packaging Dimensions

Length (mm):	465
Width (mm):	380
Height (mm):	60
Gross Weight (kg):	2.77

Packaging Data

Box Colour:	White Cardboard Box - Printed
Box Qty:	1
Label Size:	100 x 50
Label Colour:	Not Applicable
Label Qty:	

Outer Box Dimensions (If Applicable)

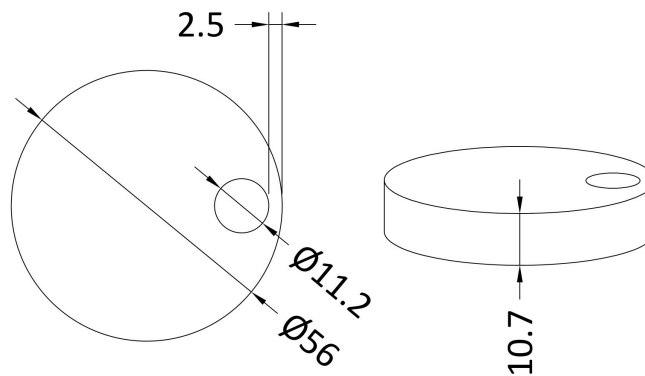
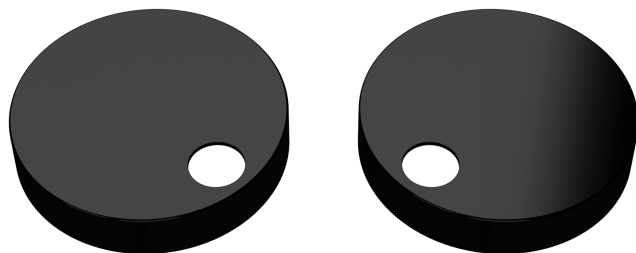
Length (mm):	480
Width (mm):	330
Height (mm):	395
Gross Weight (kg):	14
Barcode:	5060272829780

Product Details

Country of Origin:	China
Fitting Instruction:	No
CE & UKCA:	Not Applicable
Product Material:	Urea
Seat Type:	D Shape
Seat Function:	Soft Close
Hinge Centres (Min):	70
Hinge Centres (Max):	175
Hinge Material:	Stainless Steel Nylon
Colour/Finish:	White
Fixing Method:	Quick Release

Sales Code: TSC402

Description: Toilet Seat Cover Caps Black Nts004/007



Product Dimensions

Length (mm):	
Width (mm):	70
Height (mm):	70
Nett Weight (kg):	0.01

Packaging Dimensions

Length (mm):	50
Width (mm):	50
Height (mm):	80
Gross Weight (kg):	0.01

Packaging Data

Box Colour:	White Cardboard Box
Box Qty:	1
Label Size:	100 x 50
Label Colour:	White Label
Label Qty:	1

Outer Box Dimensions (If Applicable)

Length (mm):	
Width (mm):	
Height (mm):	
Gross Weight (kg):	
Barcode:	5056678435410

Product Details

Country of Origin:	China
Fitting Instruction:	No
CE & UKCA:	
Product Material:	
Seat Type:	
Seat Function:	
Hinge Centres (Min):	
Hinge Centres (Max):	
Hinge Material:	
Colour/Finish:	
Fixing Method:	