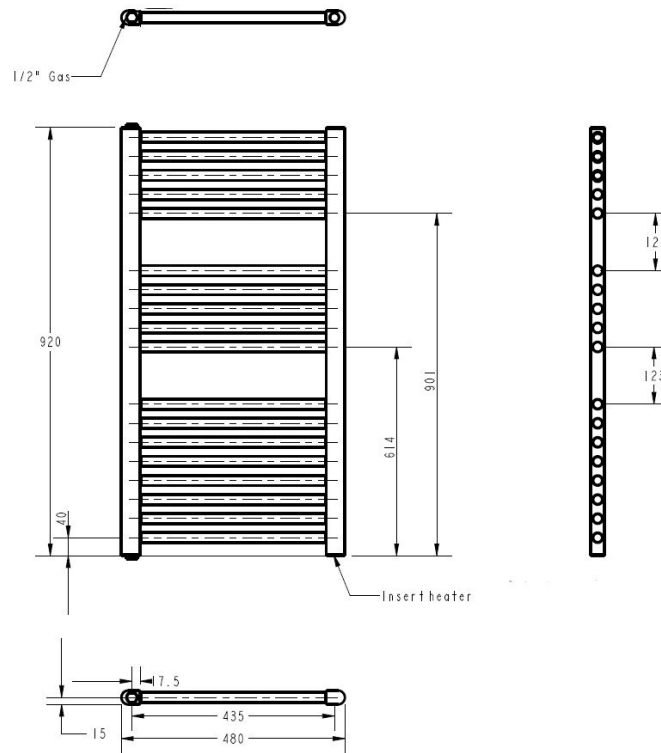


Sales Code: MTY154

Description: Round Anthracite Rad 920X480 (500 Watt)



Product Dimensions

Height (mm):	920
Width (mm):	480
Depth (mm):	30
Length (mm):	
Nett Weight (kg):	10.3

Packaging Dimensions

Height (mm):	45
Width (mm):	510
Length (mm):	1052
Gross Weight (kg):	11.51

Packaging Data

Box Colour:	Brown Cardboard Box
Box Qty:	1
Label Size:	190 x 75
Label Colour:	White Label
Label Qty:	1

Outer Box Dimensions (If Applicable)

Height (mm):	
Width (mm):	
Length (mm):	
Gross Weight (kg):	
Barcode:	5055275893876

Product Details

Country of Origin:	Italy		
Fitting Instruction:	No		
Certification:	CE & UKCA: Yes	RoHS: Yes	WEEE: Yes
Colour/Finish:	Anthracite		
RAL No:	N/A		
Product Material:	Steel		
Heat Element Wattage:	500 W		
Heating Element Wattage Compatible:	Yes		
BTU Outputs:	30°C /	50°C / 1706	60°C /
Thermal Outputs: (Watts)	30°C /	50°C / 500W	60°C /
Pipe Centres - If Vertical:	435mm		
Pipe Centres - If Horizontal:	N/A		
Max Projection:	85/95		
Tube Diameter:	22mm		
Packaging Volume (L):	4		
Wall to Centre of Tappings:	>200		
Floor to Centre of Tappings:	70/85		
Dual Fuel:	No		
IP Rating:	Ip64 Ingress Protection		