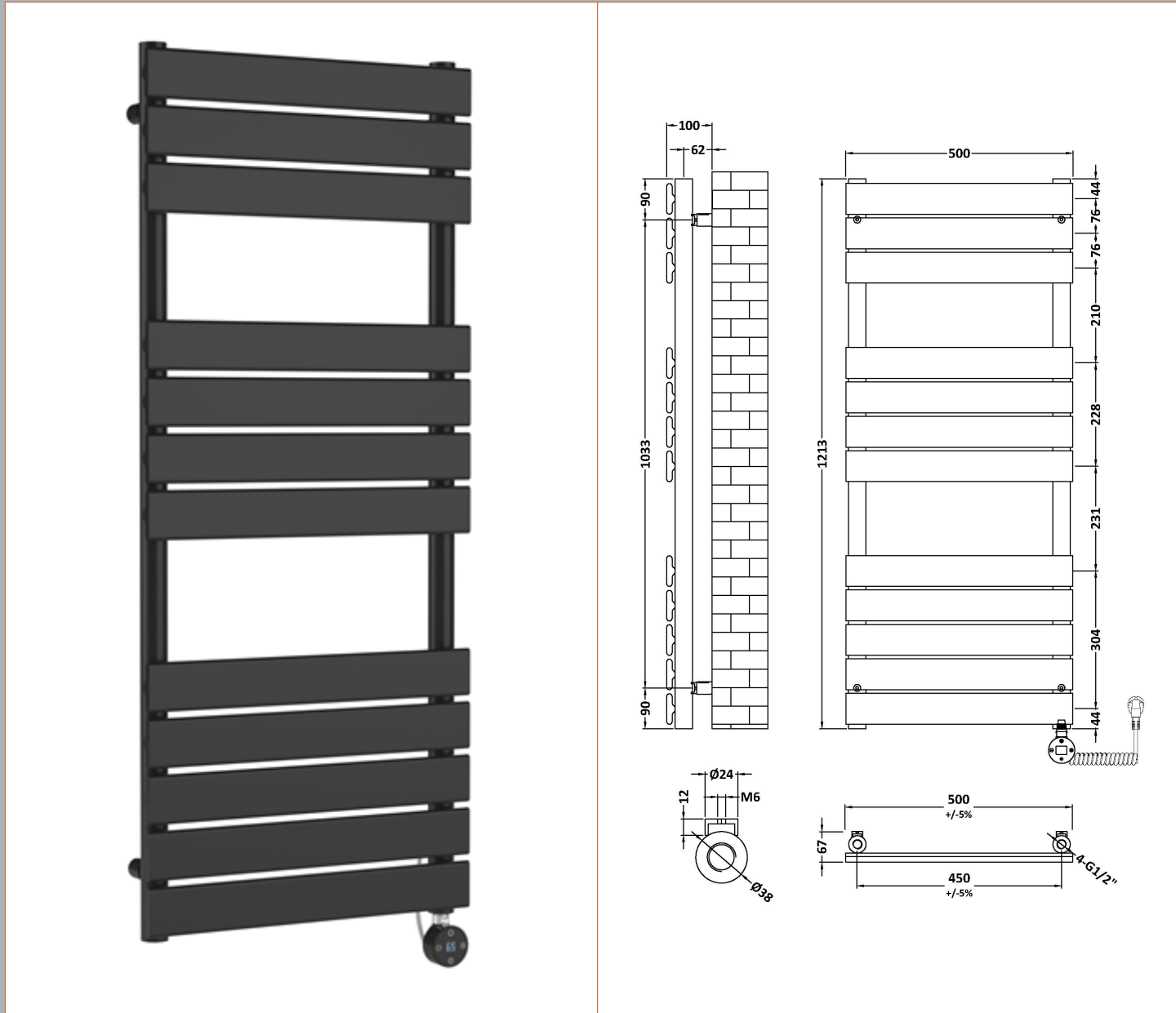


Sales Code: HL159

Description: Electric Flat Towel Rail 12 Bar 1213X500



Product Dimensions

Height (mm):	1213
Width (mm):	500
Depth (mm):	30
Length (mm):	
Nett Weight (kg):	23

Packaging Dimensions

Height (mm):	1364
Width (mm):	600
Length (mm):	105
Gross Weight (kg):	27

Packaging Data

Box Colour:	Brown Cardboard Box
Box Qty:	1
Label Size:	190 x 75
Label Colour:	White Label
Label Qty:	1

Outer Box Dimensions (If Applicable)

Height (mm):	
Width (mm):	
Length (mm):	
Gross Weight (kg):	
Barcode:	5056678429259

Product Details

Country of Origin:	China		
Fitting Instruction:	No		
Certification:	CE & UKCA: Yes	RoHS: Yes	WEEE: Yes
Colour/Finish:	Anthracite		
RAL No:	Ral 7016		
Product Material:	Steel		
Heat Element Wattage:	600 W		
Heating Element Wattage Compatible:	Yes		
BTU Outputs:	30°C / 1102	50°C / 2081	60°C / 2603
Thermal Outputs: (Watts)	30°C / 323	50°C / 610	60°C / 763
Pipe Centres - If Vertical:	450 mm		
Pipe Centres - If Horizontal:	N/A		
Max Projection:	110 mm		
Tube Diameter:	70		
Packaging Volume (L):			
Wall to Centre of Tappings:	>200		
Floor to Centre of Tappings:	62-72mm		
Dual Fuel:	No		
IP Rating:	Ip64 Ingress Protection		