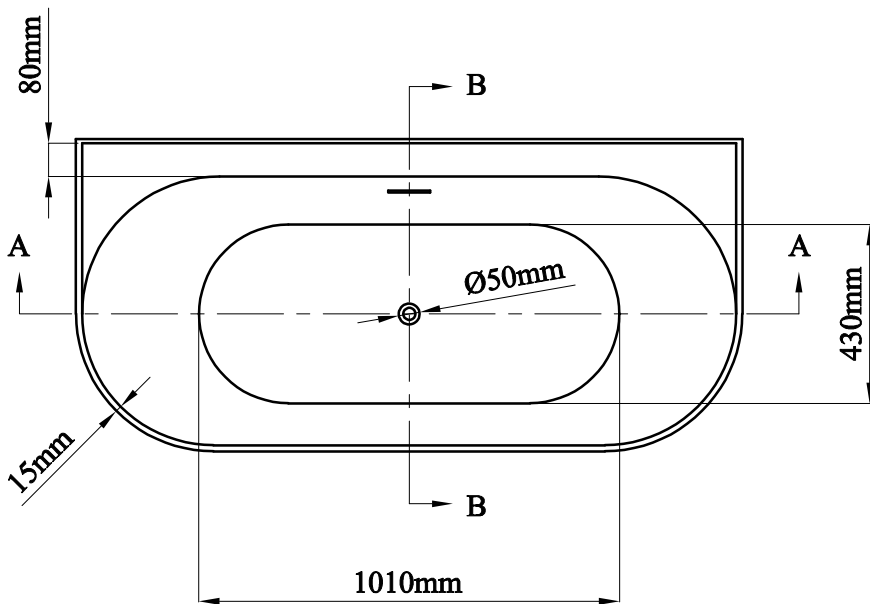
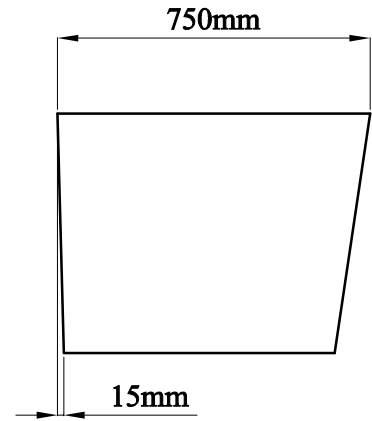
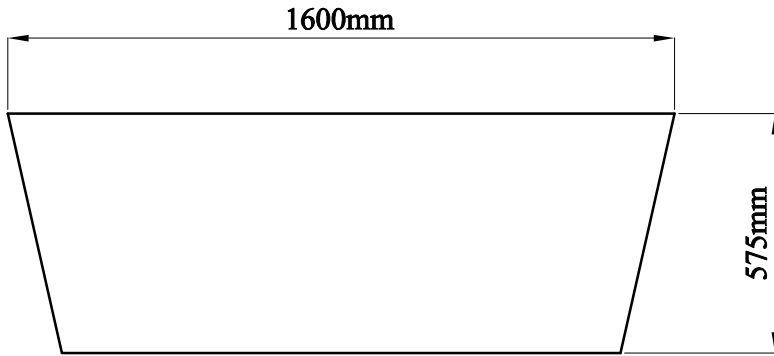


Code No.: 33.0026

Dimensions: 1600x750x575 mm



SECTION A-A

SECTION B-B

