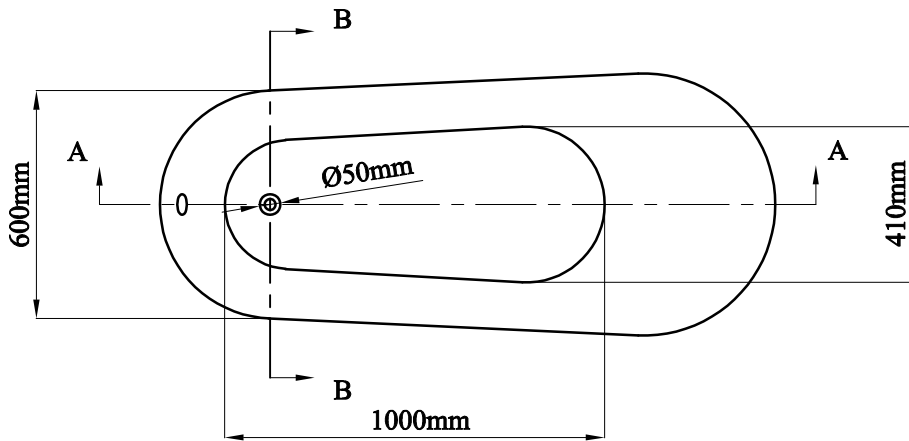
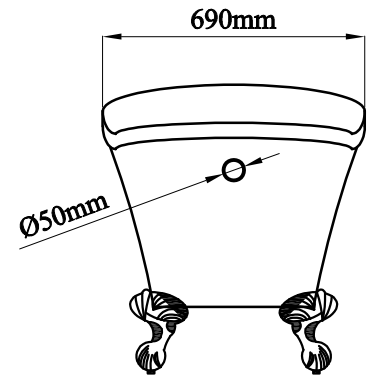
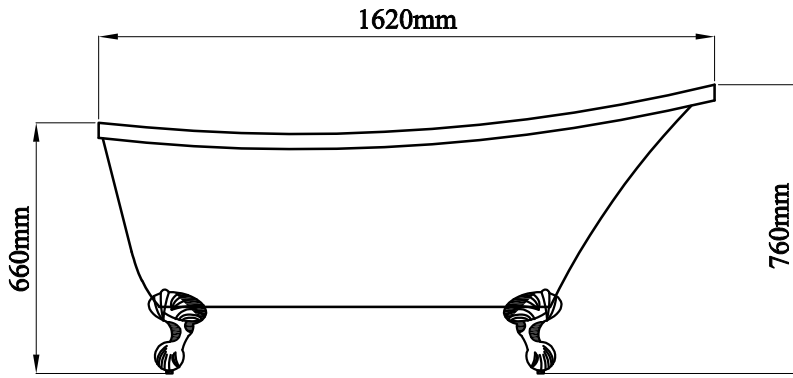


Code No.: 33.0019

Dimensions: 1620 x 690(600) x 760(660) mm



SECTION A-A

SECTION B-B

