

TECHNICAL DATA SHEET

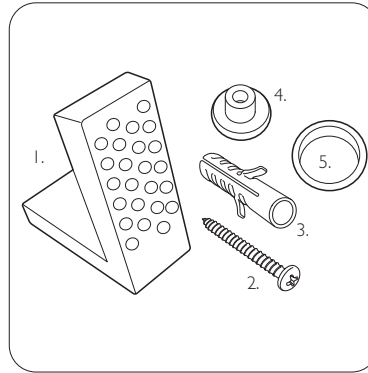
Lansdown Back To Wall WC Pan - DCI4044

TAVISTOCK

NO.	Description	Product Code	Fixings included	Gross Weight
1	Soft Close Toilet Seat	DCI4037	YES	2.1KG
2	Rimless Back to Wall WC	DCI4044	YES	25KG



Floor Fixings



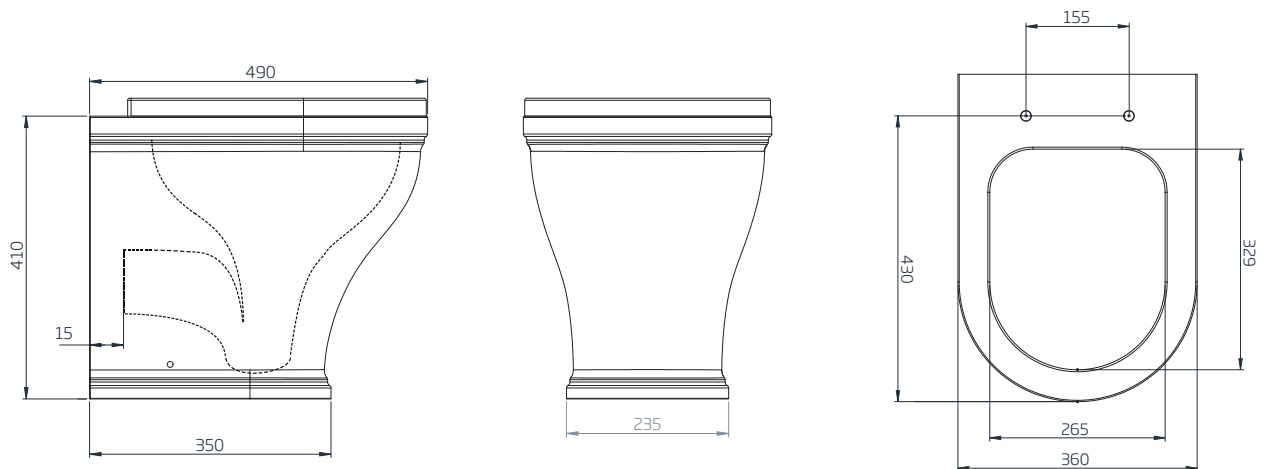
- 1. 2x Nylon Floor Bracket
- 2. 4x Stainless Steel Screws
- 3. 2x Nylon Screw Plugs
- 4. 2x Nylon Screw Collars
- 5. 2x Nylon Collars Caps (Metalic Finish)

Spare Code: SP14211

DIMENSIONS

DIAGRAMS NOT TO SCALE | ALL DIMENSIONS IN MM TOLERANCE OF ± 5MM

ALL PRODUCTS CONFORM TO BRITISH STANDARDS



*Dimensions are subject to change, customers are advised to measure actual product before commencing installation.

**Fixing point dimensions are for guidance only. The positions of fixings must be checked when product is received.

FAQs

Q - Are there any other compatible seats?
A - No

Q - Which concealed cistern do I use?
A - Vortex (VOR790) or Apex (TR9002), depending on whether the water feed is bottom or side access. An In-Wall cistern (TR9009) is available for tiled-in installations.

Q - Rim type?
A - Rimless

Key Dimensions Descriptions	Key Dimensions (mm)
Front to Back Footprint	350mm
Left to Right Footprint	235mm
Bowl Front to Back	329mm
Bowl Left to Right	265mm
Pan Height	410mm
Pan Overall front to Back	490mm
Centre Flush Inlet to Floor	375mm
Centre Waste Outlet to Floor	180mm
Width of Void	180mm
Is there a Ceramic Brace Bar	No
Distance from Spigot to back of Pan	15mm