

TECHNICAL DATA SHEET

Vitoria SCT STD Depth Basin 2TH - SCDB850S

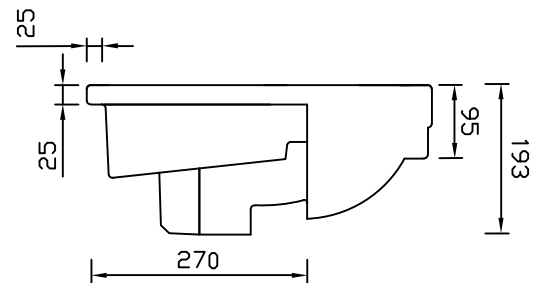
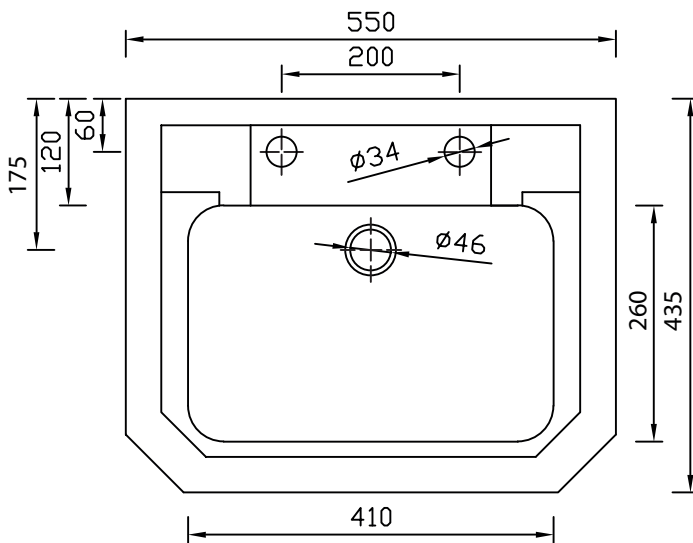
TAVISTOCK

NO.	Description	Product Code	Template included	Gross Weight
I	Semi Recess Basin 2 TH - Standard Depth	SCDB850S	YES	14KG



DIMENSIONS

DIAGRAMS NOT TO SCALE | ALL DIMENSIONS IN MM TOLERANCE OF ± 5MM
ALL PRODUCTS CONFORM TO BRITISH STANDARDS



*Dimensions are subject to change, customers are advised to measure actual product before commencing installation.

**Fixing point dimensions are for guidance only. The positions of fixings must be checked when product is received.

FAQs

Q - Is a fitting template supplied?

A - Yes : Questions on cutting dimensions can be found on the template.

Q - How is the basin fixed to the furniture?

A - Fix to workspace with silicone as per instructions supplied.

Key Dimensions Descriptions	Key Dimensions (mm)
Internal Bowl Depth	130mm
Internal Bowl Front to Back	260mm
Internal Bowl Left to Right	410mm
Tap Ledge	120mm
Taphole Centre to Waste Centre	115mm
Taphole Centre to Back of Basin	60mm
Waste Centre to Back of Basin	175mm
Height of Basin	193mm
Basin Overhang	145mm