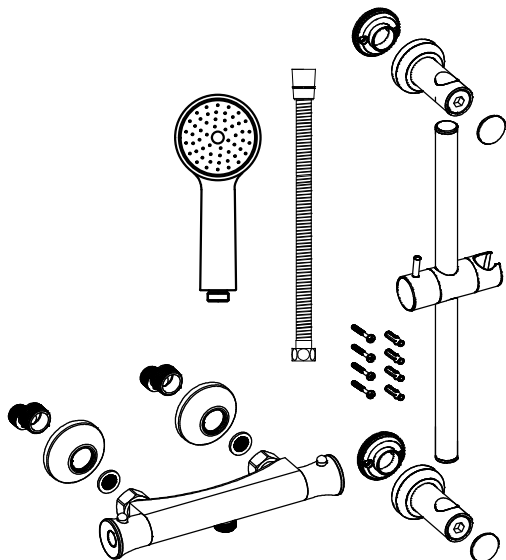
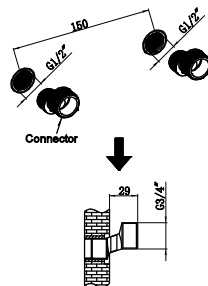


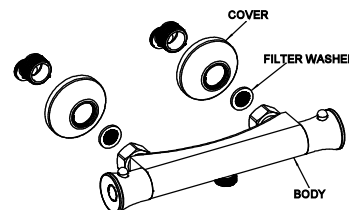
ROUND SHOWER KIT INSTALLATION INSTRUCTIONS



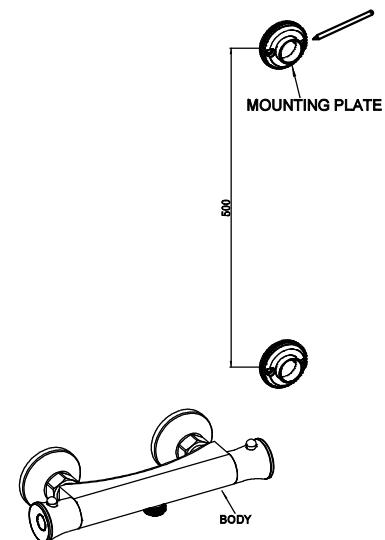
Step 1: Disassemble all the parts according to the figure above.



Step 2: Apply suitable thread sealant (not supplied) and attach the offset connectors to the pipework in the wall, making center distance of 150mm, 29mm from the wall.



Step 3: Attach the covers against wall, place filters into the inlets. Then fix mixer onto the wall with spanner, checking for leakage.



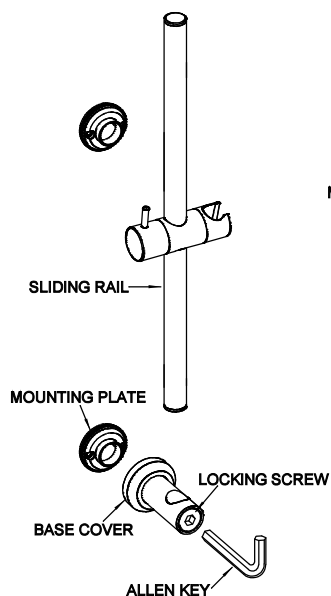
Step 4: Place mounting plate on a proper position of the wall and make markings.



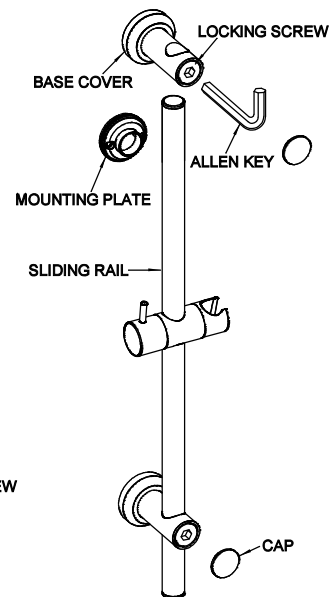
Step 5: Drill four holes of $\varnothing 6\text{mm}$ with depth of 40mm. Tap in wall plugs.



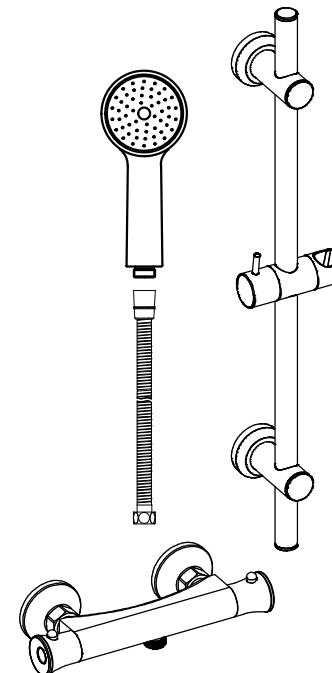
Step 6: Fix mounting plate on the wall with screws.



Step 7: Fix bottom base cover onto the mounting plate, place sliding rail into base cover in a proper position, then turn the locking screw with allen key to tighten.



Step 8: Place top base cover into sliding rail and fix base cover against mounting plate. Turn the locking screw with allen key to tighten. Finally apply the cap.



Step 9: Connect shower hose and handshower.