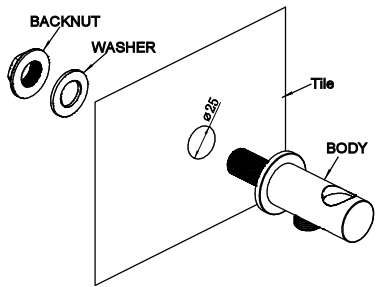
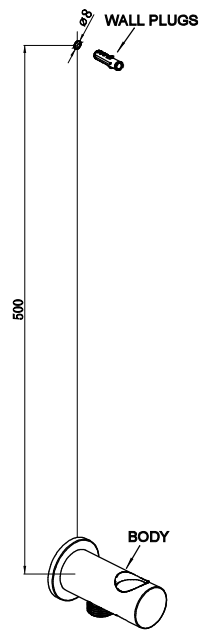


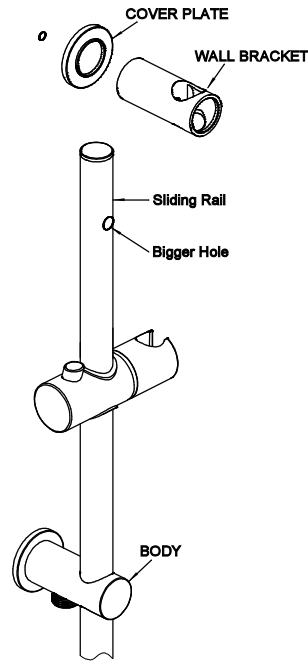
## ROUND SHOWER KIT INSTALLATION INSTRUCTIONS



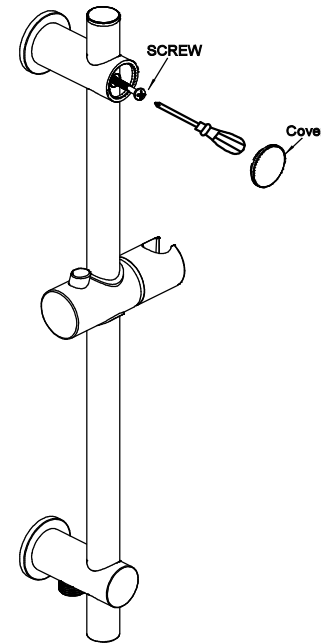
**Step 1:** Select a proper position on the tile and drill a hole of  $\text{Ø}25\text{mm}$  with depth of 110mm. Fix the valve into the wall. Mount the body with washer and backnut. Connect inlet with valve body and check for leakage.



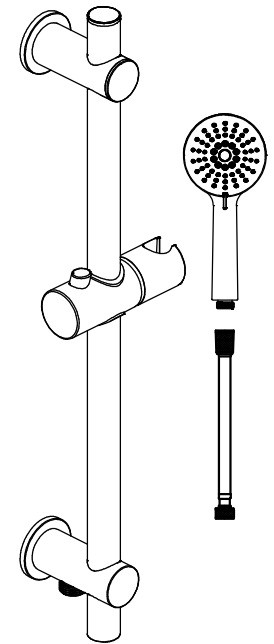
**Step 2:** Drill one hole of  $\text{Ø}8\text{mm}$  with depth of 45mm, 500mm away from the valve body, then tap in wall plugs.



**Step 3:** Place the sliding rail into the valve body. Keep the rail side with bigger hole at the front, and place wall bracket and cover plate against the wall. Finally place sliding rail.



**Step 4:** Fix the sliding rail and wall bracket together against the wall with screw, tighten with a screw driver through the bigger hole in the sliding rail and place cover.



**Step 5:** Connect shower hose and handshower.