

COBALT SHWR PK

COBALT Shower Range Complete Cobalt Recessed Dual Control Shower Pack

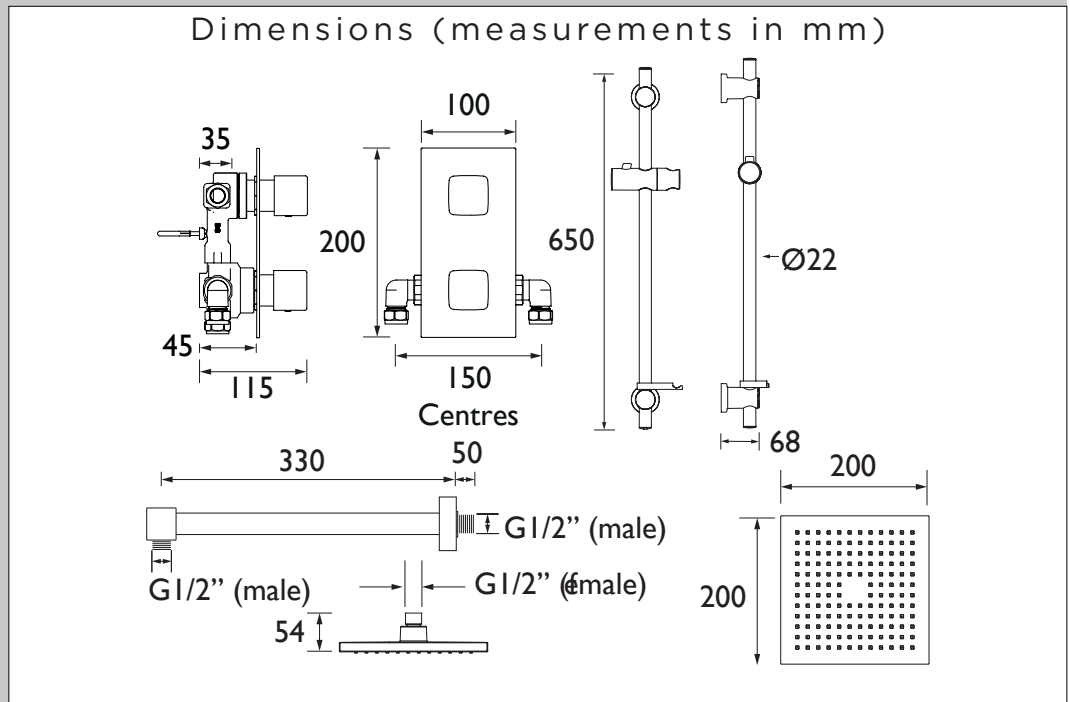


| Specification | |
|--|-------------------------------------|
| Style: | Contemporary |
| Finish/Colour: | Chrome Plated |
| Main Construction Material: | Brass; ABS |
| No of Controls: | 2 |
| Shower Type: | Dual Control |
| Shower Head Type: | Fixed Head and Adjustable Riser Kit |
| Valve/Cartridge Type: | 3/4" Ceramic Disc Valve 1/4 turn |
| Maximum Hot Water Supply Temperature °C: | 65 |
| Maximum Static Pressure: (bar) | 10 |
| Plumbing System Suitability: | Suitable for all plumbing systems |
| Working Pressure Range: | Min: 0.2 bar, Max: 5 bar |
| Connection Inlet: | 15mm Compression |
| Connection Outlet: | G 1/2" |
| Isolation Valve Included: | No |
| Check Valve Included: | Yes |

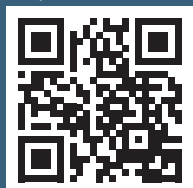
Features:

- 15mm inlet connections
- Dual control - flow and temperature are controlled separately
- Integral two outlet diverter
- 200mm square shower rose, shower arm, wall outlet and a shower kit with single mode handset
- Adjustable fixing brackets on riser rail enables existing screw holes to be used

Product Certifications:



For more products, visit our website:
<http://www.bristan.com>



| Flow Rates (l/min) | | | | | | |
|-----------------------|-----|------|------|------|------|------|
| System Pressure (bar) | 0.2 | 0.5 | 1 | 2 | 3 | 5 |
| Outlet 1 | 6.9 | 12.8 | 19 | 27.6 | 33.8 | 43.6 |
| Outlet 2 | 6.7 | 12.5 | 18.5 | 27 | 33 | 42.6 |
| | | | | | | |
| | | | | | | |

TECHNICAL
DATA
SHEET



BRISTAN
TAPS & SHOWERS

D3