

COB SMBAS C

COBALT Tap Range Cobalt Small Basin Mixer Chrome



Specification	
Style:	Contemporary
Product Type:	Bathroom Tap
Finish/Colour:	Chrome
Main Construction Material:	Brass
Mount Type:	Deck Mounted
Handle Type:	Square
Connection Inlet:	M10 x 1/2 BSP" Flexible Tails
Number of Tap Holes Required:	1
Valve/Cartridge Type:	25mm Cartridge
Plumbing System Suitability	Ideally Balanced
Working Pressure Range:	Min. 0.3bar Max 5.0bar
Maximum Hot Water Temperature: °c	65
Maximum Dynamic Pressure: (bar)	5
Maximum Static Pressure: (bar)	10
Flow Type:	Single
Flow Rate: (l/min @ 3 bar)	12.1
Connection Outlet:	N/A
Isolation Included:	No

Features:

- Metal Backnuts
- Ceramic Disc
- Flexi Tails
- Minimum Pressure 0.3

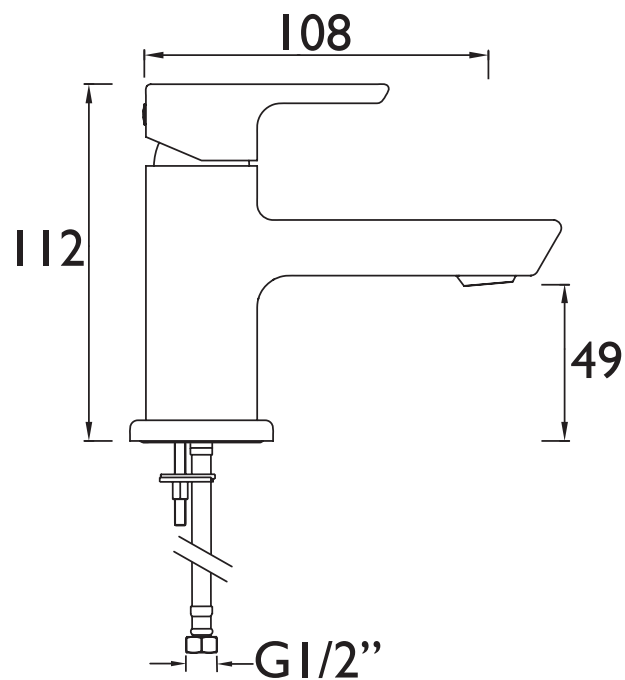
Product Certifications:



For more products, visit our website:



Dimensions (measurements in mm)



Flow Rates (l/min)						
System Pressure (bar)	0.3	0.5	1	2	3	5
COB SMBAS C	3.1	4.6	6.8	9.7	12.1	15.5

TECHNICAL
DATA
SHEET



BRISTAN
TAPS & SHOWERS

D3