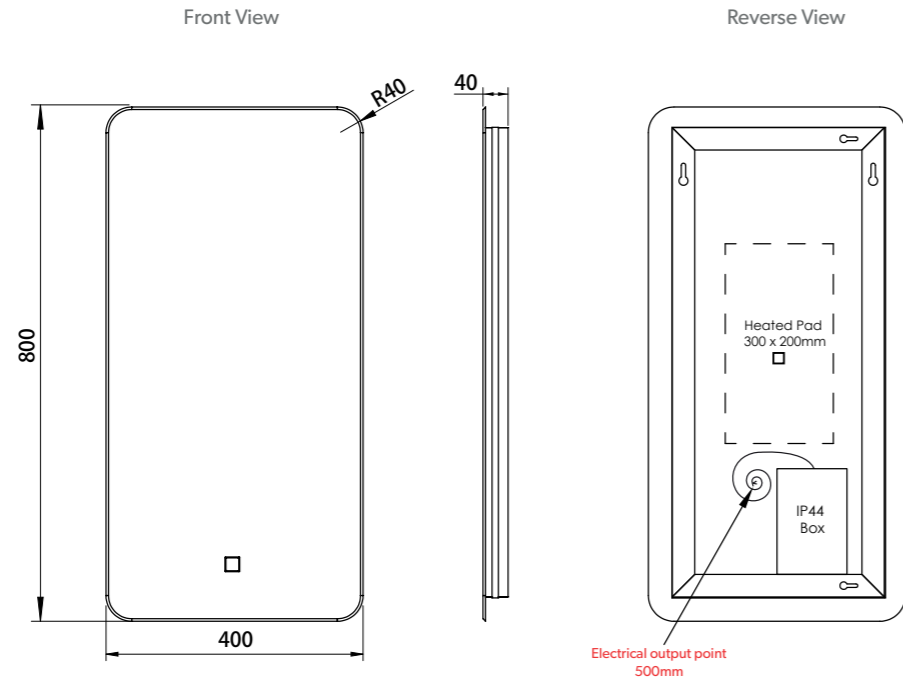


Ambience 40
Ambience 50
Ambience 60
Ambience 90
Ambience 120
Ambience 140

HiB recommend you receive the product before commencing with installation as all sizes and measurements are approximate.
 HiB try and ensure all measurements are as accurate as possible.
 In the interest of continuous product development, HiB reserves the right to alter specification as necessary. E & OE.

Ambience 40

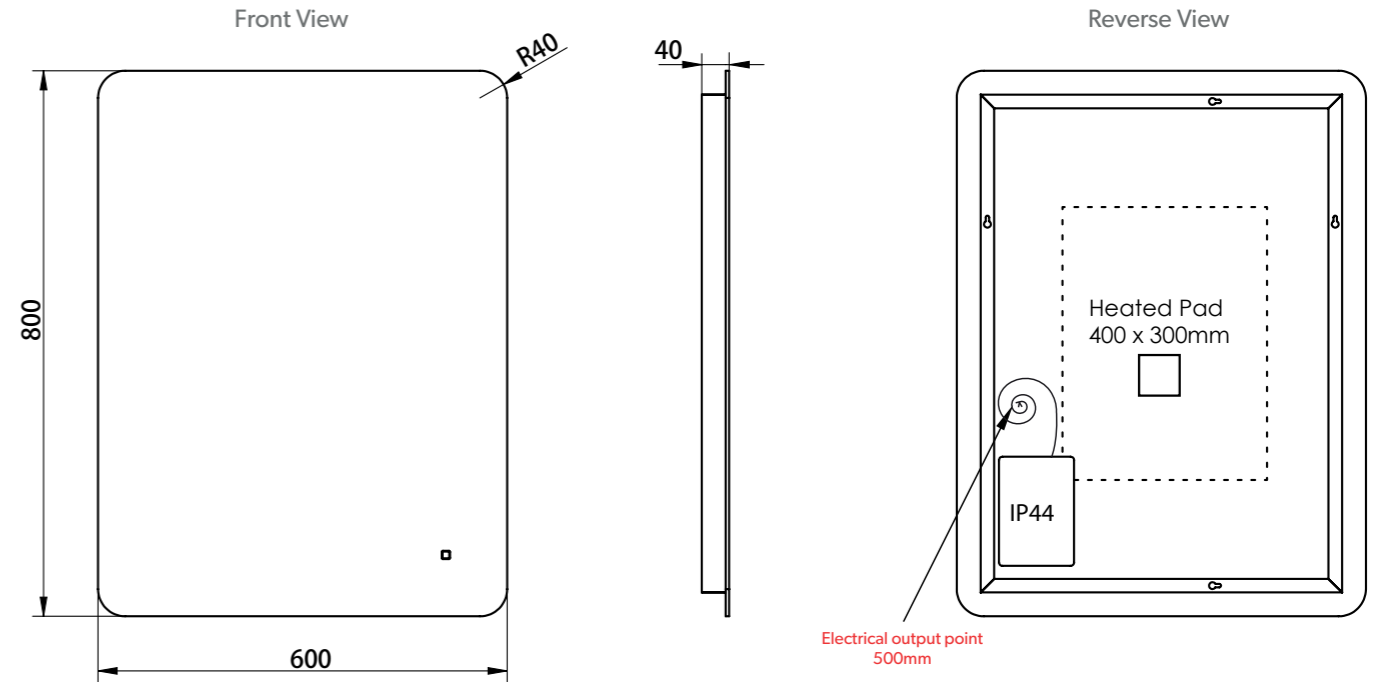
Art no. 79000000



HiB recommend you receive the product before commencing with installation as all sizes and measurements are approximate.
 HiB try and ensure all measurements are as accurate as possible.
 In the interest of continuous product development, HiB reserves the right to alter specification as necessary. E & OE.

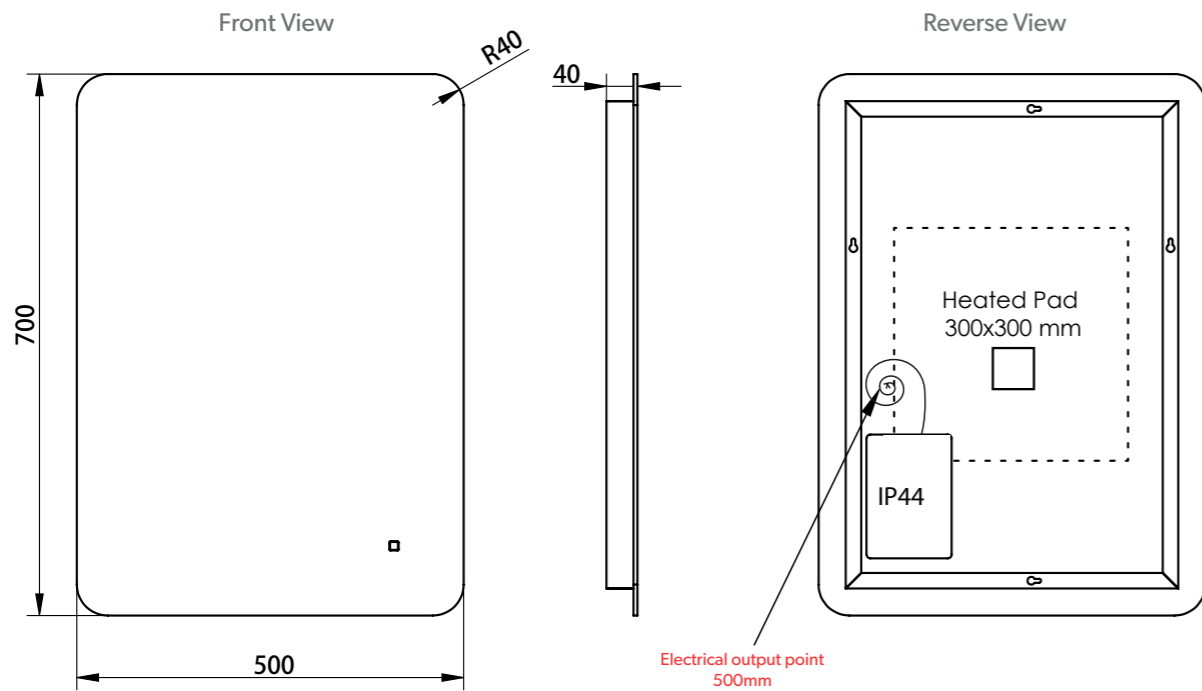
Ambience 60

Art no. 79200000



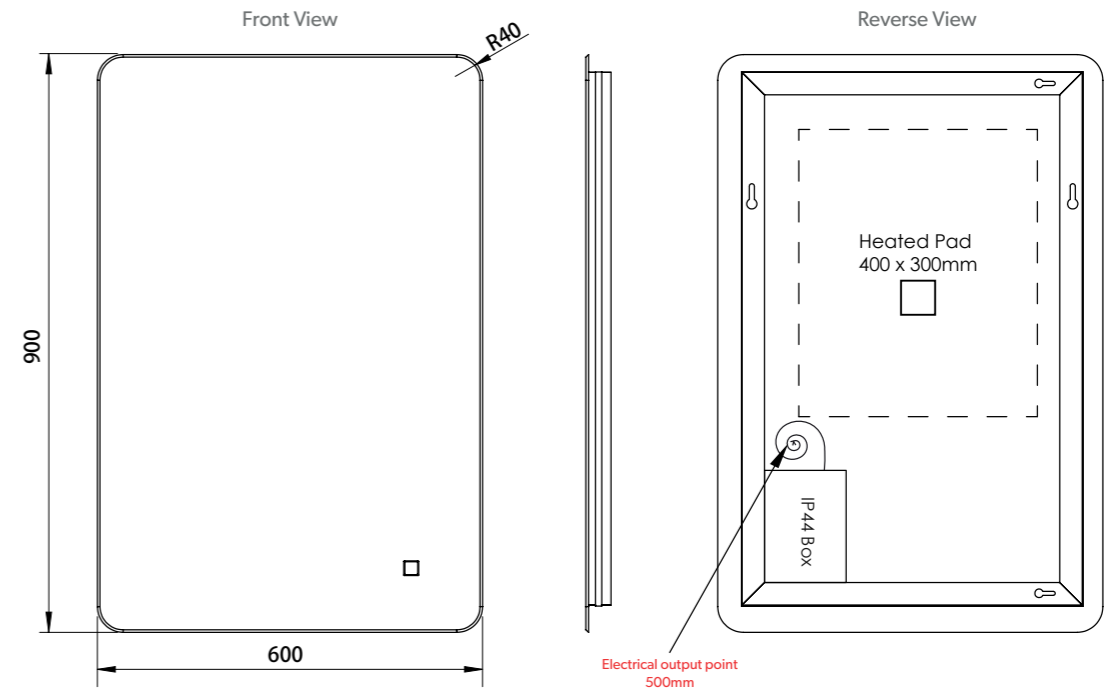
Ambience 50

Art no. 79100000



Ambience 90

Art no. 79210000



Electrical Safety Information

HiB recommends that all electrical bathroom products should only be fitted by a suitably qualified, Part P registered electrician in accordance with current IEE regulations.
 Ensure mains power supply is switched off before starting installation.
 Before drilling, ensure there are no hidden cables or pipes in the wall.

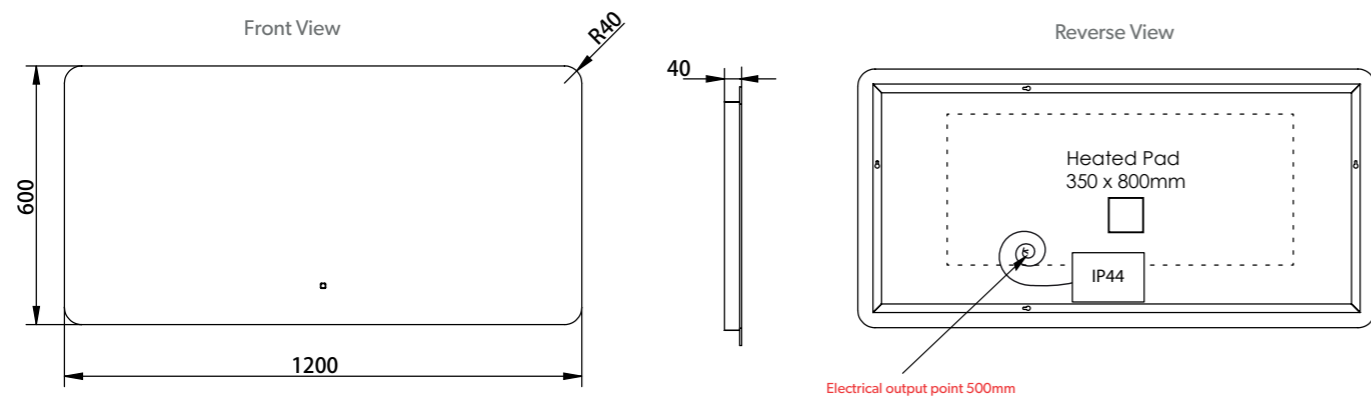
Electrical Safety Information

HiB recommends that all electrical bathroom products should only be fitted by a suitably qualified, Part P registered electrician in accordance with current IEE regulations.
 Ensure mains power supply is switched off before starting installation.
 Before drilling, ensure there are no hidden cables or pipes in the wall.

HiB recommend you receive the product before commencing with installation as all sizes and measurements are approximate.
 HiB try and ensure all measurements are as accurate as possible.
 In the interest of continuous product development, HiB reserves the right to alter specification as necessary. E & OE.

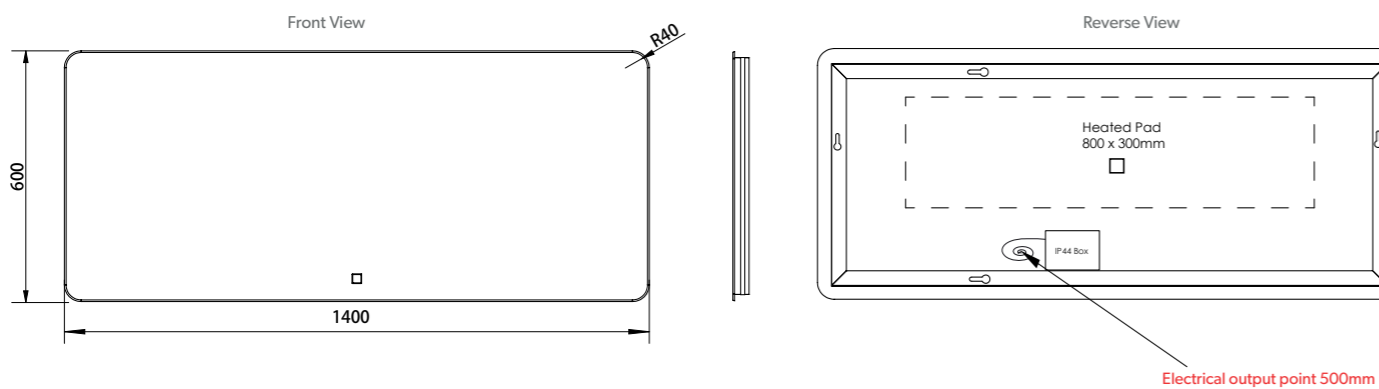
Ambience 120

Art no. 79300000



Ambience 140

Art no. 79310000



Ambience

40, 50, 60, 90, 120 & 140

Version No. 29.02.18

	Product	Ambience 40, Ambience 50, Ambience 60 Ambience 90, Ambience 120 & Ambience 140
	Art. No.	Ambience 40: 790000000, Ambience 50: 791000000, Ambience 60: 792000000, Ambience 90: 792100000, Ambience 120: 793000000 & Ambience 140: 793100000
	Product Description	Landscape or portrait steam free mirror with LED colour temperature changing ambient lighting. At the press of a button change from Warm White to Cool White Illumination. With memory function the mirror will remember your personal setting.

Question	Answer
Nett weight (kg)	Ambience 40: 4.75kg / Ambience 50: 5.05kg / Ambience 60: 7kg Ambience 90: 7.65kg / Ambience 120: 10kg / Ambience 140: 13.45kg
Light Source	LED
Light Source Average Lifespan	Average: 50,000 hr
Total Rated Wattage (W)	Ambience 40: 34.97w / Ambience 50: 42.44w / Ambience 60: 48.49w Ambience 90: 44.5w / Ambience 120: 84.93w / Ambience 140: 88.4w
Lumens (Lm)	Ambience 40: 838.5lm / Ambience 50: 1161lm / Ambience 60: 1377 lm Ambience 90: 1072.5lm / Ambience 120: 1507lm / Ambience 140: 1462.5lm
Kelvins (k)	Ambience 40, 50, 60, 90, 120 & 140: 4100k - 22000k
Is the mirror dimmable?	No
Energy Rating	Class A
Is the heated pad only on when the mirror is illuminated?	Yes
Does the mirror require an earth connection?	Yes
Can I bypass the sensor so the mirror comes on with the main room light?	No
Is it cool white or warm white illumination?	Both - the mirror is colour temperature changing
What IP rating is the mirror?	All Ambience mirrors are IP44 rated
What orientation can the mirror be hung?	All Ambience mirrors can be hung landscape OR portrait
Is the touch switch light on the mirror always on?	Yes
How long is the warranty?	5 years from date of purchase on silvering coating on mirror 2 years from date of purchase on electrical components in the mirror

Electrical Safety Information

HiB recommends that all electrical bathroom products should only be fitted by a suitably qualified, Part P registered electrician in accordance with current IEE regulations.
 Ensure mains power supply is switched off before starting installation.
 Before drilling, ensure there are no hidden cables or pipes in the wall.

HiB recommend you receive the product before commencing with installation as all sizes and measurements are approximate.
 HiB try and ensure all measurements are as accurate as possible.
 In the interest of continuous product development, HiB reserves the right to alter specification as necessary. E & OE.