



This product is suitable for installation in zones: 2 & Outside Zone

All installations must comply with guidelines which are based on a zonal concept. The diagram above illustrates this concept and must be followed to ensure the safe installation of electrical appliances in the bathroom. These regulations apply to domestic installations only. Installations must be made in accordance with the current IEE wiring regulations and relevant building regulations. **HiB recommends that all electrical bathroom products should only be fitted by a suitably qualified, Part P registered electrician.**

Installation

This product can only be recessed into a wall. Before installation ensure you take note of the dimensions of the recessed area and the side fixing points inside the cabinet carcass (See fig. B & E). Ensure the construction of the wall is suitable to accommodate for the size and weight of a recessed cabinet. The cabinet should be placed in a suitable location, (according to the zonal diagram (Fig. 1) above). **Ensure the domestic electrical mains supply to which the cabinet is to be connected is turned off. Before drilling, ensure that there are no hidden cables or pipes in the wall. It is strongly recommended that the fitting of this product is conducted by two people.**

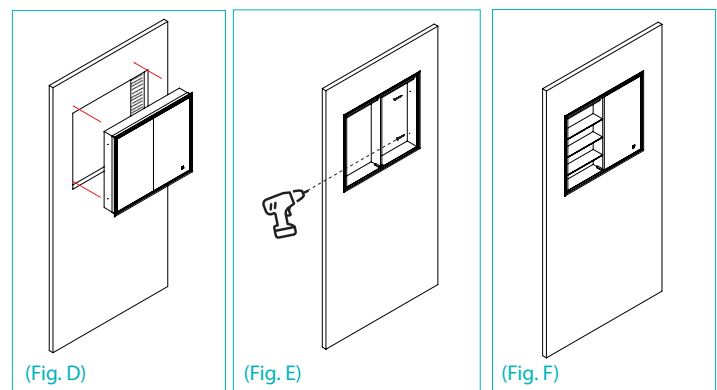
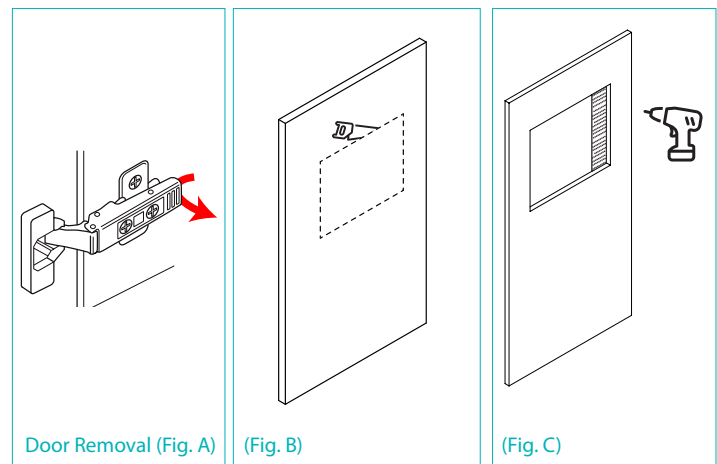
1. Before commencing installation, remove the door(s) from the carcass. This is done by gently pulling at the tab at the back of each hinge, as per Fig. A. Place the cabinet door(s) carefully onto a soft surface where they will not get damaged during installation. The door(s) have been intentionally left disconnected during transport.
2. Measure the dimension of the cabinet carcass (but not the front aluminium fascia).
3. Using these dimensions, take a soft pencil and mark the outline for the required aperture in the wall. Take great care to mark this accurately, straight and level.
4. Using an appropriate tool, cut or channel out the aperture in the wall where the cabinet will fit (Fig. B).
5. If it is necessary, install supporting baton(s) or noggin(s) around the recessed area (see Fig. C) to which the cabinet can be secured. These supports must be completely vertical and parallel to the cabinet to prevent the cabinet twisting when fitted.
6. Connect the domestic mains supply according to the wiring diagram (See Fig. 2) on the back page and manoeuvre the cabinet into the wall aperture (See Fig. D).
7. Using a suitable screwdriver or drill, secure the cabinet into the wall aperture with the supplied screws, via the two holes (two on each side) See Fig. E.

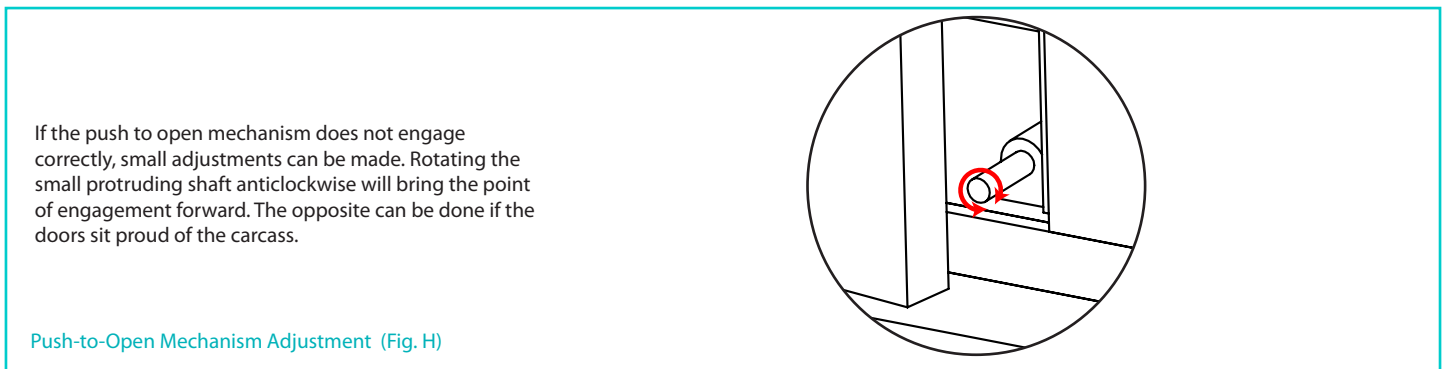
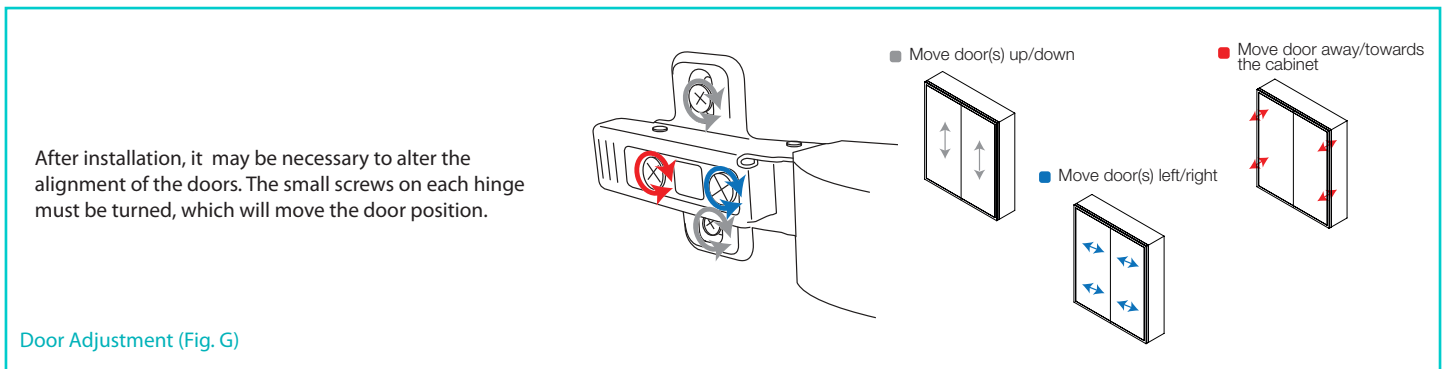
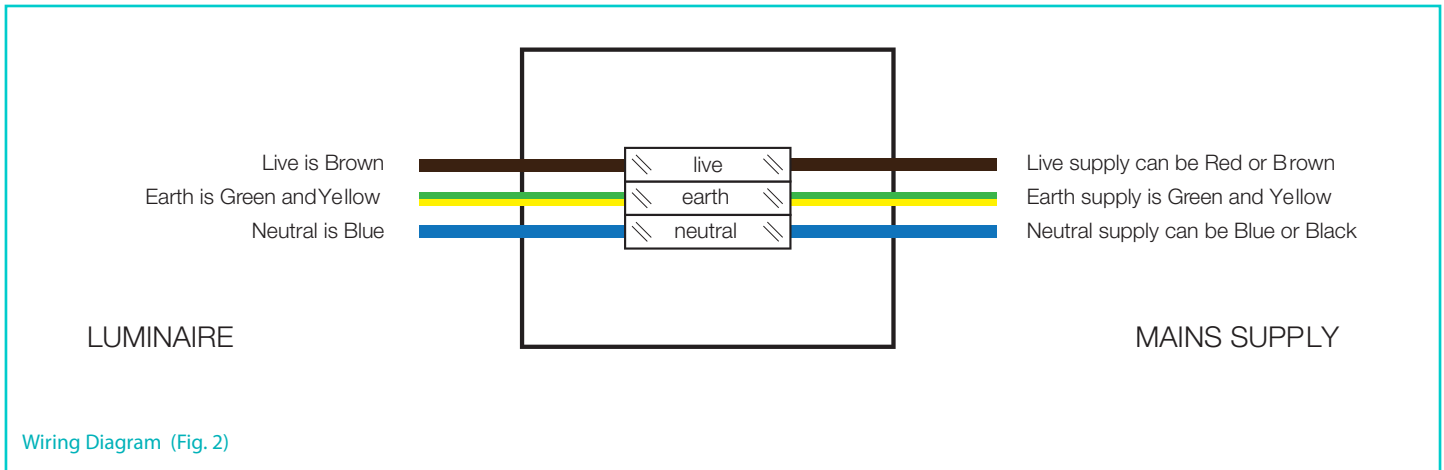
Thank you for purchasing this HiB product.

Please read through these instructions carefully and refer back to them during installation to ensure that your product is fitted safely and that it retains its high quality finish.

Please retain this leaflet for future reference.

8. Insert the supplied shelf brackets into the appropriate holes on the inside of the cabinet, depending on what height each shelf is required. Slide each shelf into position and secure in place by tightening the small plastic grub screw on the underside of each shelf bracket.
9. With help from a second person, offer the door up to the cabinet and carefully connect the wires using the connection blocks - take care to connect the blocks in the correct orientation, so that the red wire connects to the red wire and black to black. Once connected, carefully slide any excess wiring and the connector blocks inside the carcass and reconnect the hinges. Hinges are reconnected by clipping the front of the hinge in and then applying pressure on the back of the hinge until an audible 'click' is heard.
10. If necessary, hinges can be adjusted to reposition the door(s) see Fig. G.
11. Switch mains supply back on.





Operation Instructions

This cabinet is fitted with colour temperature changing technology.
To turn illumination on, touch the sensor once.
To change the colour temperature, touch and hold the sensor until desired colour is obtained. The colour temperature is then set until changed again.
Heated Pad is only on when mirror is illuminated.

Care Instructions

To preserve the high quality finish of your HiB product, please ensure you regard the following care and cleaning recommendations:
Do not use abrasives or solvents when cleaning this product.
Wipe off all water spillages as soon as possible using a soft cloth.
In the unlikely event that this product should fail please contact HiB customer services, contact detail shown below.

Aftercare Service

In the unlikely event that this product should fail please contact HiB customer services, contact detail shown below.

Charging Socket(s)

Charger socket(s) are suitable for charging and powering electric razors, trimmers and toothbrushes. Some cabinets may contain multiple charging sockets.
NB. On first use of the charger socket, inserting the plug may prove to be stiff. Reasonable force may be required to fully insert the plug. After a few uses, stiffness will ease and the socket will function as normal.

