

VAC BAS C MT

Club Mono Basin Mixer With Pop Up Waste with Metal Heads Chrome

VALUE Tap Range



Features:

- Metal heads

Product Certifications:

WRAS Certificate Number: 1405117
WRAS Expiry Date: 31/05/2019



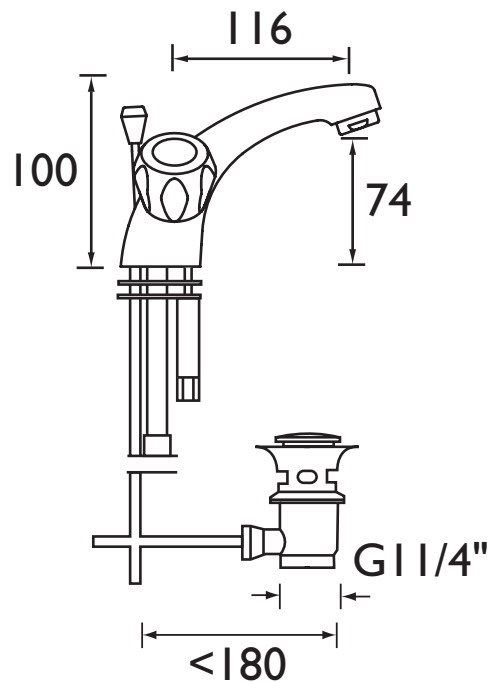
For more products, visit our website:



Specification

Style:	Contemporary
Product Type:	Bathrooms Taps
Finish/Colour:	Chrome
Main Construction Material:	Brass
Mount Type:	Deck Mounted
Handle Type:	Round
Connection Inlet:	M10x400mm x 1/2BSP Flexi Tails
Number of Tap Holes Required:	1
Valve/Cartridge Type:	1/2" Standard Valve
Plumbing System Suitability	Ideally balanced
Working Pressure Range:	Min 0.2 bar, Max 5.0 bar
Maximum Hot Water Temperature: °c	65
Maximum Dynamic Pressure: (bar)	5
Maximum Static Pressure: (bar)	10
Flow Type:	Single
Flow Rate: (l/min @ 3 bar)	57.3
Connection Outlet:	M24 Flow Straightener
Isolation Included:	No

Dimensions (measurements in mm)



Flow Rates (l/min)

System Pressure (bar)	0.2	0.5	1	2	3	5
VAC BAS C MT	12.7	22.1	32.5	46.8	57.3	74

TECHNICAL
DATA
SHEET



BRISTAN
TAPS & SHOWERS

D6

