

VAC BASNW C MT

Club Mono Basin Mixer Without Waste with Metal Heads Chrome

VALUE Tap Range



| Specification | |
|-----------------------------------|--------------------------|
| Style: | Contemporary |
| Product Type: | Bathroom Taps |
| Finish/Colour: | Chrome |
| Main Construction Material: | Brass |
| Mount Type: | Deck Mounted |
| Handle Type: | Round |
| Connection Inlet: | M10 x 265mm Copper Tails |
| Number of Tap Holes Required: | 1 |
| Valve/Cartridge Type: | ½" Standard Valve |
| Plumbing System Suitability | Ideally balanced |
| Working Pressure Range: | Min 0.2 bar, Max 5.0 bar |
| Maximum Hot Water Temperature: °c | 65 |
| Maximum Dynamic Pressure: (bar) | 5 |
| Maximum Static Pressure: (bar) | 10 |
| Flow Type: | Single |
| Flow Rate: (l/min @ 3 bar) | 34.9 |
| Connection Outlet: | M24 Flow Straightener |
| Isolation Included: | No |

Features:

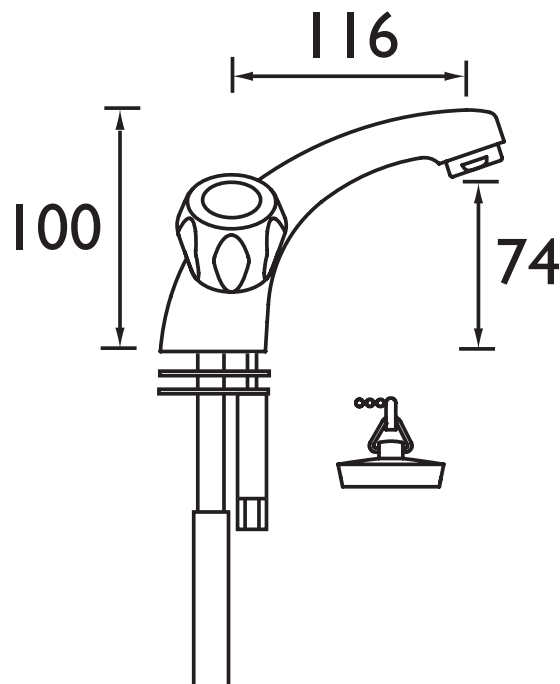
- Supplied with metal heads
- Supplied with metal back nuts
- Chrome plated to BS EN 248

Product Certifications:

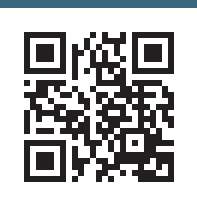
WRAS Certificate Number: 1411705
WRAS Expiry Date: 30/11/2019



Dimensions (measurements in mm)



For more products, visit our website:



| Flow Rates (l/min) | | | | | | |
|-----------------------|-----|------|----|------|------|------|
| System Pressure (bar) | 0.2 | 0.5 | 1 | 2 | 3 | 5 |
| VAC BASNW C MT | 9.1 | 14.2 | 20 | 28.5 | 34.9 | 45.1 |

TECHNICAL
DATA
SHEET



BRISTAN
TAPS & SHOWERS

D5

