

VAC SNK C MT

VALUE Tap Range
Club Monobloc Sink Mixer
Chrome With Metal Heads



Specification

Product Type:	Kitchen Taps
Main Construction Material:	Brass
Mount Type:	Deck Mounted
Handle Type:	Round Handles
Connection Inlet:	15mm Flexible Tails
Connection Outlet:	N/A
Number of Tap Holes:	1
Valve/Cartridge Type:	½" Standard Valve
Plumbing System Requirements:	All - Ideally Balnced
Working Pressure Range:	Min. 0.2 Bar, Max. 7.0 Bar
Maximum Hot Water Temperature: °C	65
Maximum Static Pressure: (bar)	10
Flow Type:	Single Flow

Features:

- Metal fixing nut for added durability
- Supplied with metal handles

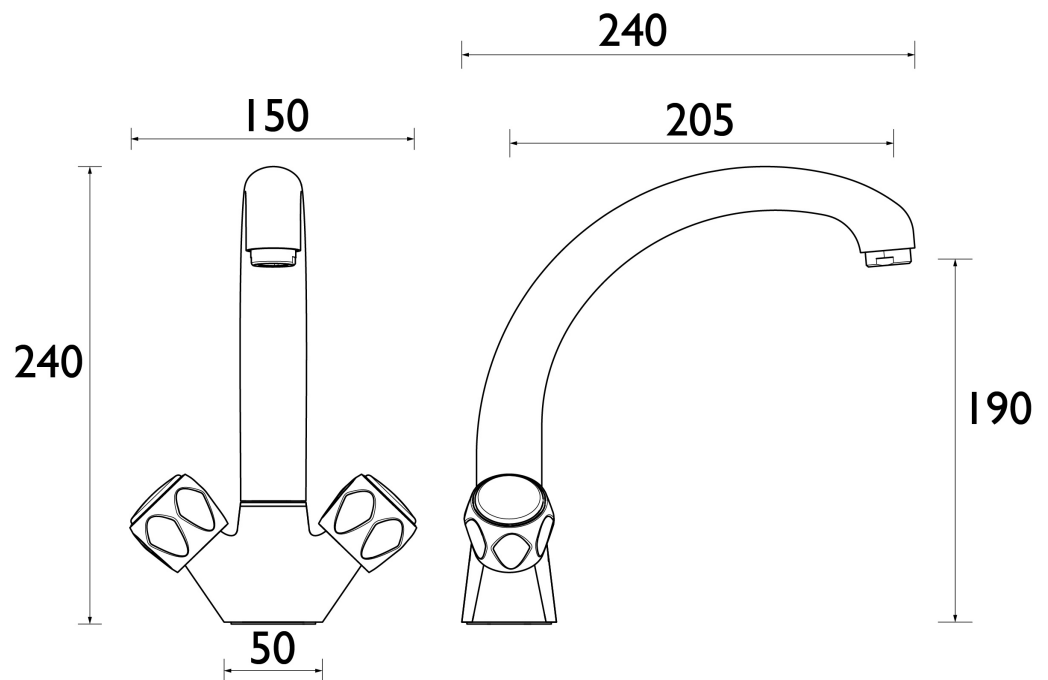
Product Certifications:



WRAS Cert. Number: 1408707
WRAS Expiry Date: 31/08/2019



Dimensions (measurements in mm)



For more products, visit our website:
<http://www.bristan.com>



Flow Rates (l/min)

System Pressure (bar)	0.2	0.5	1	2	3	5
VAC SNK C MT	8.2	13.1	19.1	26.3	32.2	41.6

**TECHNICAL
DATA
SHEET**



BRISTAN

D9