



Features:

- Long life ceramic cartridge for added durability and ease of use
- Metal fixing nut for added durability
- Flexible tails included
- Includes clicker waste

Product Certifications:



WRAS Cert. Number: 1403021
WRAS Expiry Date: 31/03/2019

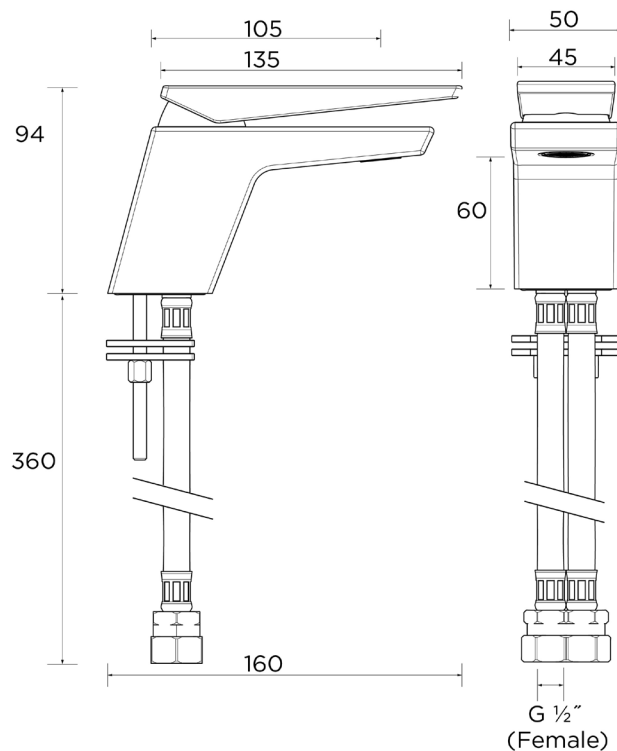


For more products, visit our website:
<http://www.bristan.com>

Specification

Style:	Contemporary
Product Type:	Taps
Main Construction Material:	Brass
Mount Type:	Deck
Handle Type:	Lever
Connection Inlet:	M10 x 15mm Flexible Tails
Number of Tap Holes:	1
Valve/Cartridge Type:	35mm Ceramic Cartridge
Plumbing System Requirements:	Suitable for all plumbing systems
Working Pressure Range:	Min 0.2 Max 5.0 Bar
Maximum Hot Water Temperature: °C	65
Maximum Dynamic Pressure: (bar)	5
Maximum Static Pressure: (bar)	10
Flow Type:	Single
Flow Rate: (l/min @ 3 bar)	42.7
Isolation Included:	No

Dimensions (measurements in mm)



Flow Rates (l/min)

System Pressure (bar)	0.2	0.5	1	2	3	5
SAI BAS C (Mixed)	1.3	3	4.1	4.8	5.9	4.9

TECHNICAL DATA SHEET



BRISTAN